

Fig No:V-658FE

1/2"~2" DN15~DN50



MATERIALS LIST

NO.	PART NAME	MATERIAL
1	BODY	ASTM A351 Gr.CF8M
2	PLUG	SS304
4	BALL	ASTM A351 Gr.CF8M
5	STEM	SS316
9	END CAP	ASTM A351 Gr.CF8M
9-1	INSERT CAP	ASTM A351 Gr.CF8M
11	BODY SEAL	TFM
12	SEAT	TFM
13	THRUST WASHER	TFM
13-1	THRUST WASHER	TFM
14	STEM PACKING	TFM
14-1	STEM PACKING	TFM
15	GLAND	SS304
22	STEM NUT	SS304
27	ANTI-STATIC DEVICE	SS316
29	BELLEVILLE WASHER	SS301
30	LOCK WASHER	SS304
35	BODY BOLT	SS304

Features :

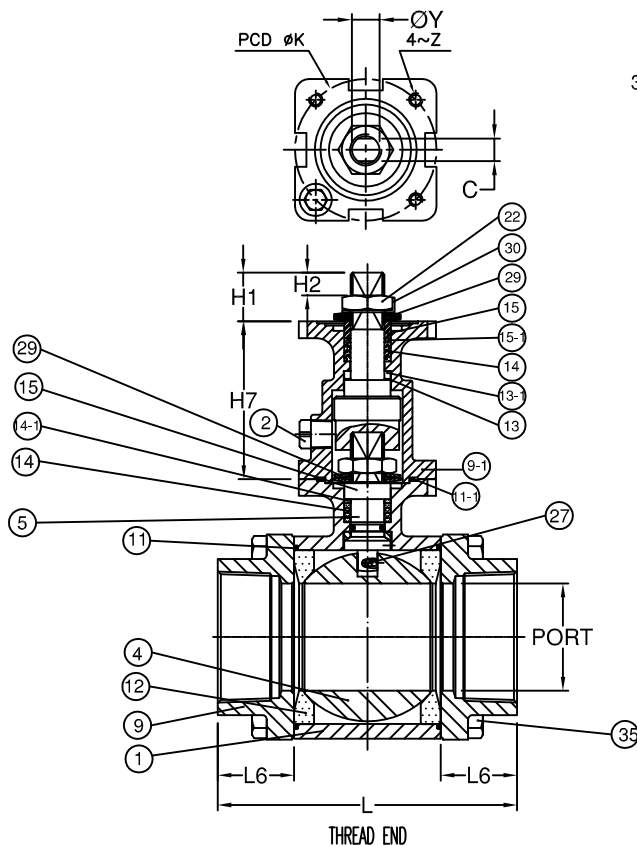
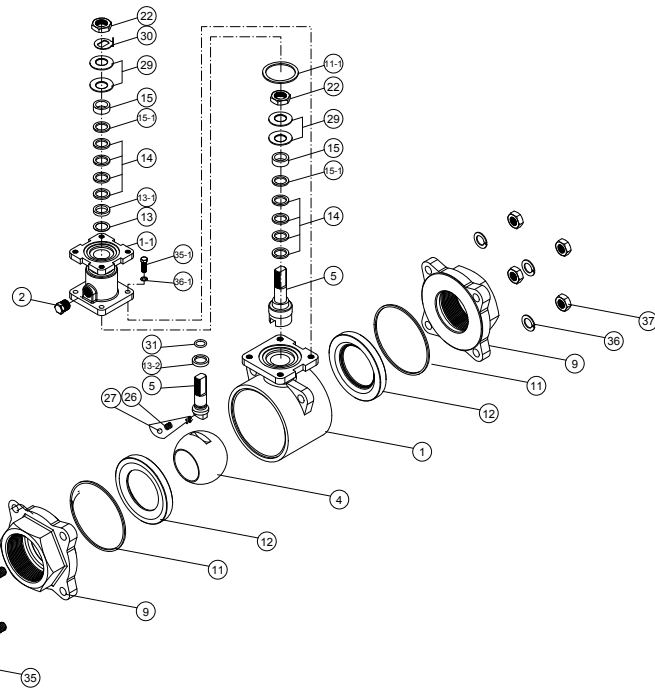
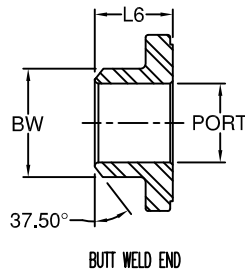
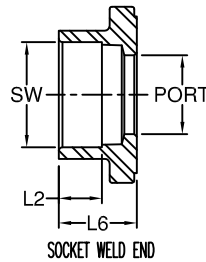
- Fugitive Emission Control Bonnet
- Double sets of Belleville washers
- Blow-out proof stem
- ISO 5211 mounting pad
- High / Low Temperature Service application
- Monitoring Port for the purpose of installing sensing pressure gauge

Standards compliance:

- EPA, Ta-Luft,
- API 598 / EN 12266
- ASME B 16.34

Specifications:

- End connection: Threaded/Socket weld/Butt weld
- Working pressure: 1/4"~2" 1000psi / 63 bar
- Temperature rating: -70°F to 356°F (-57°C to 180°C)



DIMENSIONS

unit:mm

SIZE	PORT	L	L6	H1	H2	H7	C	ØY	ØK	Z-4	SW	BW	
DN15	1/2"	15	72	22.8	50.8	7.6	50.8	6.35	12	42	10-24UNC	21.7	21.34
DN20	3/4"	20	85	25.9	50.8	7.6	50.8	6.35	12	42	10-24UNC	27.1	26.67
DN25	1"	25	92	27.13	74.8	10	74.8	8	14	50	1/4-20UNC	33.8	33.4
DN32	1-1/4"	32	110	31.6	74.8	10	74.8	8	14	50	1/4-20UNC	42.6	42.16
DN40	1-1/2"	38	123	32.5	74.8	12	74.8	9.5	16	70	5/16-18UNC	48.6	48.24
DN50	2"	50.8	142	36.2	74.8	12	74.8	9.5	16	70	5/16-18UNC	61.1	60.33

DIMENSIONS

unit:inch

SIZE	PORT	L	L6	H1	H2	H7	C	ØY	ØK	Z-4	SW	BW	
DN15	1/2"	0.59	2.83	0.90	2.00	0.3	2.00	0.25	0.47	1.65	10-24UNC	0.85	0.84
DN20	3/4"	0.79	3.35	1.02	2.00	0.3	2.00	0.25	0.47	1.65	10-24UNC	1.07	1.05
DN25	1"	0.98	3.62	1.07	2.94	0.39	2.94	0.31	0.55	1.97	1/4-20UNC	1.33	1.31
DN32	1-1/4"	1.26	4.33	1.24	2.94	0.39	2.94	0.31	0.55	1.97	1/4-20UNC	1.68	1.66
DN40	1-1/2"	1.50	4.84	1.28	2.94	0.47	2.94	0.37	0.63	2.76	5/16-18UNC	1.91	1.90
DN50	2"	2.00	5.59	1.43	2.94	0.47	2.94	0.37	0.63	2.76	5/16-18UNC	2.41	2.38