

Fig no. MD-955TC Tube Bore

1/2" - 2" (DN 15- 20)



Features:

- Bar material ball valve, ISO 5211 Mounting flange
- Blow-out-proof stem
- 360 degree rotation design
- In-line Maintenance
- For semiconductor & pharmacy industries

Standard Compliance :

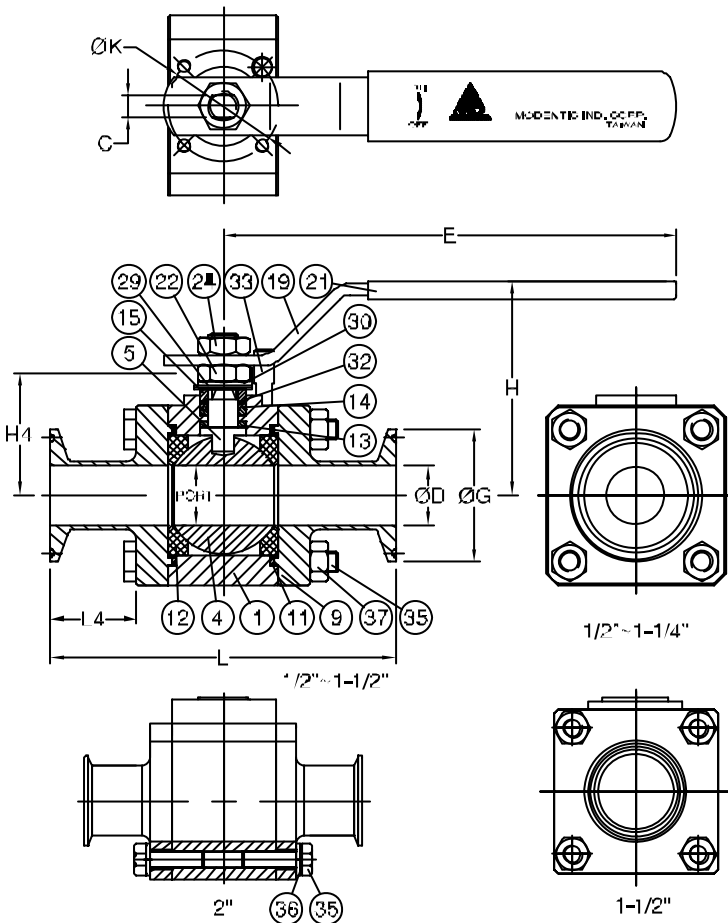
- Body wall thickness : EN 12516-1/2 / BPE
- Clamp end :3A
- Face to face : MD's standard
- Body material : 1.4404 / EN1503-1
- Pressure testing : EN 12266
- Port polished per SV1

Specification :

- End Connection : T-Clamp
- Working pressure : 63 bar for DN15-50
- Temperature : -57 ~ 180 °C

Options:

- 1. Cavity Filler seat



MATERIALS LIST

NO.	PART NAME	MATERIAL
1	BODY	1.4404 EN1503-1
4	BALL	1.4404 EN1503-1
5	STEM	1.4404 EN1503-1
9	LEVER CAP	1.4404 EN1503-1
11	BODY SEAL	TFM1600
12	SEAT	TFM1600
13	THRU WASHER	TFM1600
14	STEM PACKING	TFM1600
15	GLAND BUSH	SS304
19	HANDLE	SS304
21	HANDLE COVER	PLASTIC
22	STEM NUT	SS304
24	HANDLE NUT	SS304
29	BUSH W/LE WASHER	SS304
30	TAB WASHER	SS304
32	PACKING FOLLOWER	TFM1600
33	LEVER STOP	SS304
35	BODY BOLT	SS304
36	BOLT WASHER	SS304
37	BOLT NUT	SS304

DIMENSIONS

SIZE	PORT	L	L4	E	H	H1	C	ØD	ØG	ØK	unit:mm
DN15	1/2"	9.5	102.4	22.7	132.8	69.3	31.0	6.5	9.4	25.0	36
DN20	3/4"	15.9	112.6	26.8	132.8	73.8	35.0	6.5	15.75	25.0	36
DN25	1"	22.2	130.7	32.5	171.8	81.9	38.0	8.0	22.7	50.4	42
DN40	1-1/2"	34.9	150.1	32.4	204.2	97.5	49.5	9.7	31.8	50.4	50
DN50	2"	47.6	171.4	35.2	204.2	114.9	71.0	9.7	17.5	63.9	50