

**Fig No: NV-0060** 1/8" ~ 1"  
DN6 ~ DN25



**Features :**

Provide Bubble – Tight Shut Off of Liquids or Gases  
Primarily to Closely Regulates Fine Flow  
Metal to Metal Design for a Bubble Tight Seal  
Teflon Back – Up Ring Stem Seals

**Standard Compliance :**

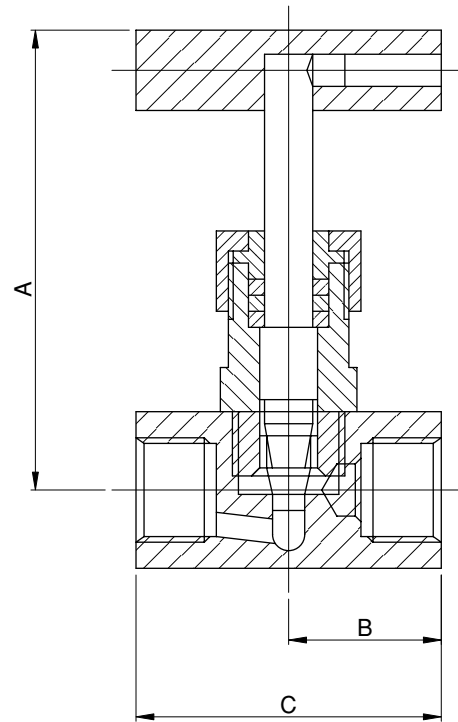
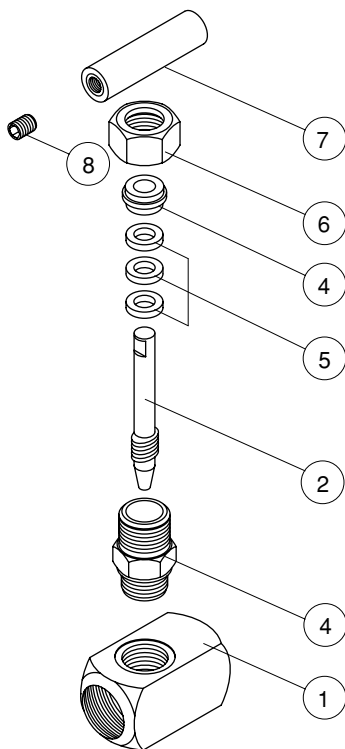
ASTM ASME B16.34 API 598  
BS 21(BSPT) ISO 7-1 ISO 228-1 BS 21(BSPP) DIN 2999  
ANSI B1.20.1(NPT)

**Specifications:**

Design According to ANSI B16.34  
End Connection : Threaded End  
Working Pressure : 6000 psi ( CWP )  
Temperature Range : - 4 to 356°F / - 20 to 180°C  
Pressure Test According to API 598 or EN 12266

**MATERIAL LIST**

| NO | PARTS NAME   | MATERIAL      |
|----|--------------|---------------|
| 1  | BODY         | A351 Gr. CF8M |
| 2  | STEM         | SS316         |
| 3  | BONNET       | A351 Gr. CF8M |
| 4  | GLAND BUSH   | SS304         |
| 5  | STEM PACKING | PTFE          |
| 6  | GLAND NUT    | SS304         |
| 7  | T BAR        | SS 410        |
| 8  | SET SCREW    | SS304         |



**DIMENSIONS**

unit: mm

| SIZE | A    | B     | C    |      |
|------|------|-------|------|------|
| DN6  | 1/8" | 75.0  | 29.0 | 58.0 |
| DN8  | 1/4" | 75.0  | 29.0 | 58.0 |
| DN10 | 3/8" | 75.0  | 29.0 | 58.0 |
| DN15 | 1/2" | 87.0  | 32.5 | 65.0 |
| DN20 | 3/4" | 90.0  | 35.0 | 70.0 |
| DN25 | 1"   | 103.0 | 40.0 | 80.0 |