

FEATURES

- Investment Cast Body Construction
- Y-Type Design
- Screwed Bonnet
- Standard in 2mm Perforated Screen for all sizes, other sizes Perforated Screens and Woven Mesh Screens are available upon request
- For General Chemical and Industrial application

SPECIFICATIONS

- Size Range DN8 ~ DN80 (1/4" ~ 3")
- End Connection Threaded / Socket Weld Ends
- Working Pressure PN40 for DN8 ~ DN80
- Temperature Range -4 to 320 °F (-20 to 160 °C) for PTFE.

STANDARDS

- Design EN 12516-1/3
- Threaded End NPT/ BS 21 (BSP) / BSPT / ISO 228-1 / DIN 2999 / ISO 7-1Rp
- Socket Weld End ASME/ANSI B16.11
- Face to Face Manufactory Standard
- Material EN1503-1
- Pressure Testing 12266

CERTIFICATE

- Quality Assurance ISO 9001
- Material Certificate EN 10204-3.1 MTR
- CE Approval PED 97/23/EC Module H

MATERIAL LIST

NO.	PART NAME	MATERIAL (more options available)
1	BODY	EN1503-1 1.4408
2	PLUG	EN1503-1 1.4408
4	SCREEN	SS316
9	BONNET	EN1503-1 1.4408
11	GASKET	TEFLON
31	O-RING	VITON®

DIMENSION

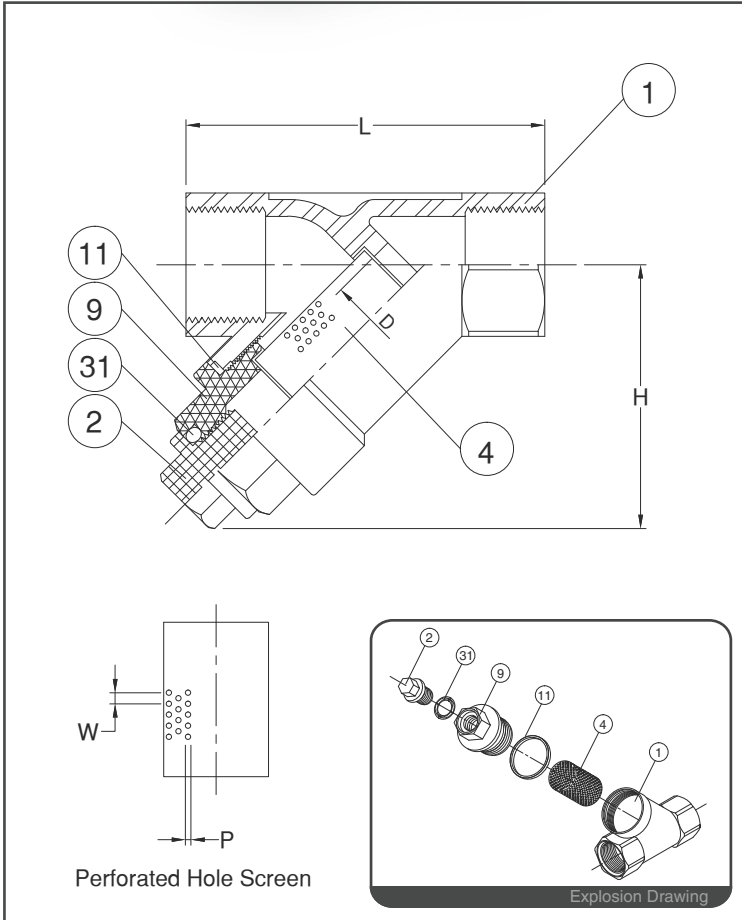
unit : mm

SIZE		L	H	D	W	P
DN8	1/4"	65.0	51.0	10.0	2.0	1.0
DN10	3/8"	65.0	51.0	12.0	2.0	1.0
DN15	1/2"	65.0	51.0	15.0	2.0	1.0
DN20	3/4"	80.0	60.0	20.0	2.0	1.0
DN25	1"	90.0	72.0	25.0	2.0	1.0

DIMENSION

unit : inch

SIZE		L	H	D	W	P
DN8	1/4"	2.55	2.00	0.39	0.07	0.03
DN10	3/8"	2.55	2.00	0.47	0.07	0.03
DN15	1/2"	2.55	2.00	0.59	0.07	0.03
DN20	3/4"	3.14	2.36	0.78	0.07	0.03
DN25	1"	3.54	2.83	0.98	0.07	0.03



FEATURES

- Investment Cast Body Construction
- Y-Type Design
- Screwed Bonnet
- Standard in 2mm Perforated Screen for all sizes, other sizes Perforated Screens and Woven Mesh Screens are available upon request
- For General Chemical and Industrial application

SPECIFICATIONS

- Size Range DN8 ~ DN80 (1/4" ~ 3")
- End Connection Threaded / Socket Weld Ends
- Working Pressure PN40 for DN8 ~ DN80
- Temperature Range -4 to 320 °F (-20 to 160 °C) for PTFE.

STANDARDS

- Design EN 12516-1/3
- Threaded End NPT/ BS 21 (BSP) / BSPT / ISO 228-1 / DIN 2999 / ISO 7-1Rp
- Socket Weld End ASME/ANSI B16.11
- Face to Face Manufactory Standard
- Material EN1503-1
- Pressure Testing 12266

CERTIFICATE

- Quality Assurance ISO 9001
- Material Certificate EN 10204-3.1 MTR
- CE Approval PED 97/23/EC Module H

MATERIAL LIST

NO.	PART NAME	MATERIAL (more options available)
1	BODY	EN1503-1 1.4408
2	PLUG	EN1503-1 1.4408
4	SCREEN	SS316
9	BONNET	EN1503-1 1.4408
11	GASKET	TEFLON
31	O-RING	VITON®

DIMENSION

unit : mm

SIZE	L	H	D	W	P
DN32	1-1/4"	105.0	77.0	32.0	2.0
DN40	1-1/2"	120.0	87.0	40.0	2.0
DN50	2"	140.0	103.0	50.0	2.0
DN65	2-1/2"	180.0	124.0	65.0	2.0
DN80	3"	200.0	143.0	80.0	2.0

DIMENSION

unit : inch

SIZE	L	H	D	W	P
DN32	1-1/4"	4.13	3.03	1.25	0.07
DN40	1-1/2"	4.72	3.42	1.57	0.07
DN50	2"	5.51	4.05	1.96	0.07
DN65	2-1/2"	7.08	4.88	2.55	0.07
DN80	3"	7.87	5.62	3.14	0.07