

Fig No: MV-1221 1-1/2" ~ 60"
DN40 ~ DN1500

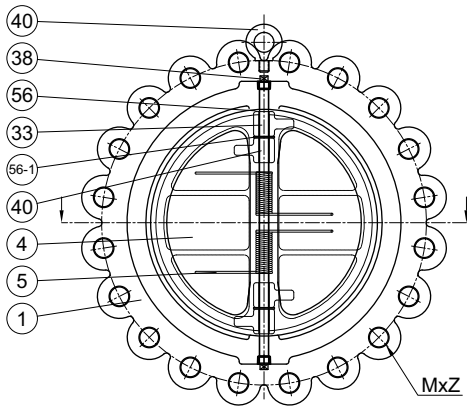


Features :

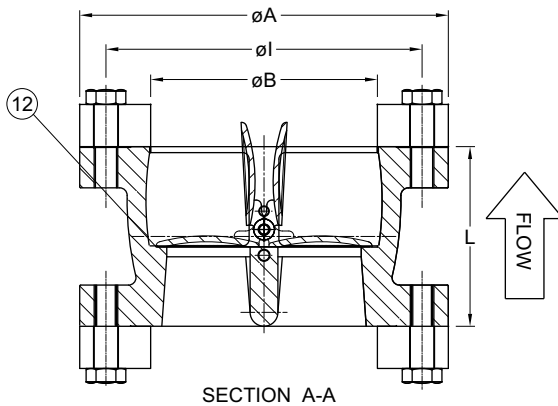
- Small and Light Quick Reaction Vertical and Horizontal Bubble tight
- Low Pressure Drop
- No Slamming, Plates Start closing Against the Flow Before the stops

Stainless & Carbon Steel

Pressure Rating : 150#/300#/600#		MATERIAL LISTS		
		NO.	PART NAME	MATERIAL
Specifications: • Design According to API 594 • Shell Wall Thickness According to API 594 • Face to Face According to API 594 • Flanged Dimension According to ANSI B16.5 • Pressure -Temperature Rating According to ASME B16.34 • Pressure Test According to API 598		1	BADY	CF8M/CF8/WCB
		4	PLATE	CF8M/CF8
		5	SPGING [NOTE(1)]	SS316
		12	SEAT	NBR/EPDM/VITON
		33	STOP PIN	SS316/SS304
		38	RETAINER	SS316
		40	EYE BOLT [NOTE(2)]	A105
		48	HINGE PIN	SS316/SS304
		56	BODY BEARING	SS316
		56-1	PLATE BERNG	SS316



*NOTES:
 (1)1-1/2"-5" USED 1 PC.
 6"-20" USED 2 PCS.
 24" AND LARGER SIZE
 USED 4 PCS.
 (2)ONLY FOR 6"-20".



DIMENSIONS

unit:mm

CLASS	SIZE	L	ØA	ØB	ØI	MxZ	
150	DN50	2"	60	152	60	120.6	4x5/8"
	DN65	2-1/2"	67	178	73	139.7	4x5/8"
	DN80	3"	73	191	89	152.4	4x5/8"
	DN100	4"	73	229	114	190.5	8x5/8"
	DN125	5"	87	254	141	215.9	8x5/8"
	DN150	6"	98	279	168	241.3	8x5/8"
	DN200	8"	127	343	219	298.5	8x5/8"
	DN250	10"	146	406	273	362.0	12x7/8"
	DN300	12"	181	483	324	431.8	12x7/8"
	DN350	14"	184	533	356	476.3	12x1"
300	DN400	16"	191	597	406	539.8	12x2"
	DN450	18"	203	635	457	577.9	16x1-1/8"-UN"
	DN500	20"	219	699	508	635.0	20x1-1/8"-UN"
	DN50	2"	60	165	60	127.0	8x5/8"
	DN65	2-1/2"	67	191	73	149.4	8x3/4"
	DN80	3"	73	210	89	168.1	8x3/4"
	DN100	4"	73	254	114	200.2	8x3/4"
	DN125	5"	87	279	141	235.0	8x3/4"
	DN150	6"	98	318	168	269.7	12x3/4"
	DN200	8"	127	381	219	330.2	12x7/8"
600	DN250	10"	146	445	273	387.4	16x1"
	DN300	12"	181	521	324	450.9	16x1-1/8"-UN
	DN350	14"	22	584	356	514.4	20x1-1/8"-UN
	DN400	16"	232	648	406	571.5	20x1-1/4"-UN
	DN450	18"	164	711	457	628.7	20x1-1/4"-UN
	DN500	20"	292	775	508	685.8	20x1-1/4"-UN
	DN50	2"	60	165	60	127.0	8x5/8"
	DN65	2-1/2"	67	191	73	149.4	8x3/4"
	DN80	3"	73	210	89	168.1	8x3/4"
	DN100	4"	79	273	114	215.9	8x7/8"
600	DN125	5"	105	330	151	266.7	8x1"
	DN150	6"	136	356	168	292.1	12x1"
	DN200	8"	165	419	219	349.3	12x1/8"-UN
	DN250	10"	213	508	273	431.8	16x1-1/4"-UN
	DN300	12"	229	559	324	489.0	20x1-1/4"-UN
	DN350	14"	273	603	356	527.1	20x1-3/8"-UN
	DN400	16"	305	386	406	603.3	20x1-1/2"-UN
	DN450	18"	362	743	457	654.1	20x1-5/8"-UN
	DN500	20"	368	813	508	723.9	20x1-5/8"-UN