

Fig No: FPCF-900/1500
1/2"~ 2" DN15 ~ DN50

Features :

Integral Flanged valves are available in bonnet designs. The design is the Bolted Bonnet, With male-female joint, spiral wound gasket, made in F304L/graphite. Ring joint gasket are also available on request. Integral flanged end valves are available in gate, globe, piston check design configuration.

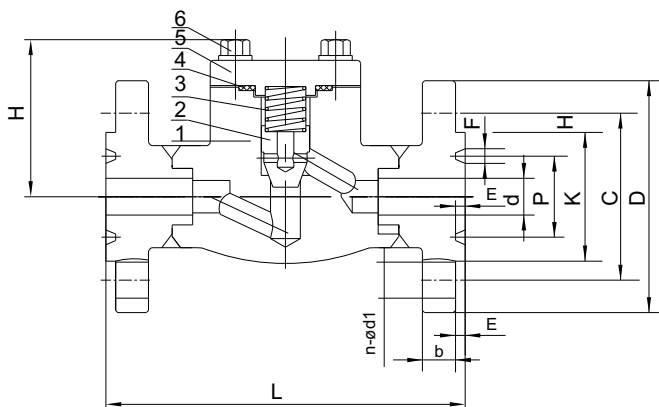


Weld Flanged End Valve Design Construction and Specifications :

Integral flanged end valves conform to API602, MSS-SP-118 (as applicable), and ANSI B16.34. BS 5352. Each are tested according to API 598, Marking is per MSS SP-25.

Construction is as follows :

- Full Port or Conventional Port
- Face to Face according to ANSI B16.10
- Flanges according to ANSI B16.5
- Integral flanges
- Bolted bonnet with spiral-wound gasket, threaded and seal welded bonnet or threaded and pressure seal bonnet



DIMENSIONS

unit:mm

NPS	d	P	K	C	D	n-ød1	b	F	E	L	H
1/2	13	39.67	59.0	82.5	121	4-23	22.5	8.74	6.4	216	111
3/4	17	44.45	65.5	88.9	130	4-23	25.5	8.74	6.4	229	111
1	22	50.8	71.5	101.6	149	4-26	29.0	8.74	6.4	254	120
1-1/4	28	30.32	81.0	111.1	159	4-26	29.0	8.74	6.4	279	120
1-1/2	35	68.28	92.0	123.8	178	4-29	32.0	8.74	6.4	305	140
2	47	95.25	124.0	165.1	216	8-26	38.5	11.91	7.9	371	178

MATERIALS LIST

NO	Name	MATERIAL		
1	BODY	A105	A304(L)	F316(L)
2	PISTON DISC	A182 F6	A304(L)	F316(L)
3	SPRING	F304	F316	
4	GASKET	F304+GRAPHITE		F316+GRAPHITE
5	BONNET	A105	A304(L)	F316(L)
6	BOLT	A193 B7		A193 B8

Other Materials Also Available On Requested