

Fig no. VF-52

1/2" ~ 8" DN15 ~ DN200



Feature :

- Investment Casting Component
- ISO 5211 mounting Flange
- Blow-out-proof stem, Anti-Static Design
- For Flow and Steam Control
- Carbon steel or Super Alloy upon request

Standard Compliance:

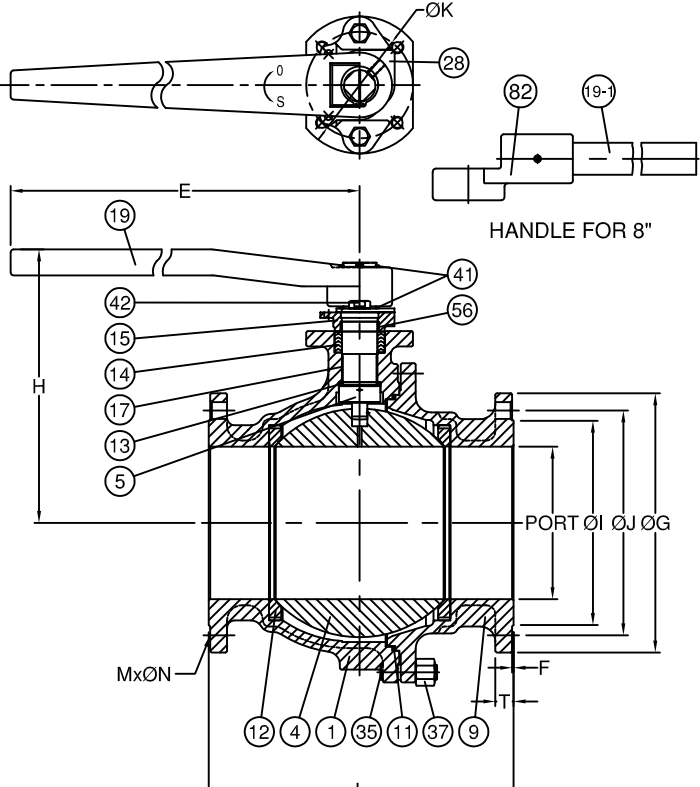
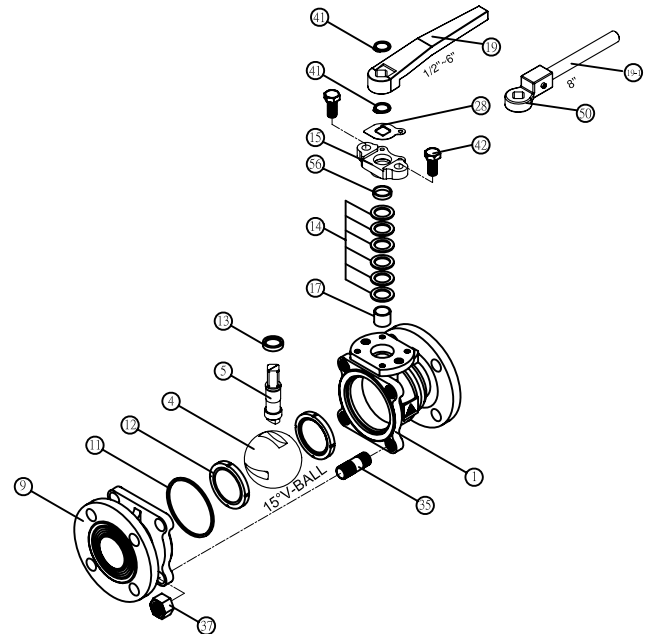
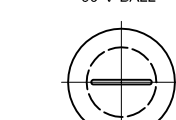
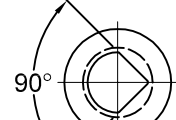
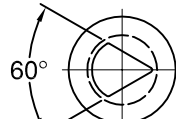
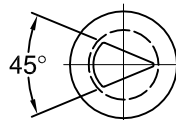
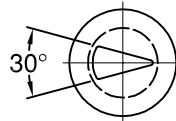
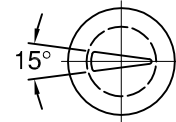
- Body wall thickness : B16.34
- Face to Face : ANSI B16.10 Class 150
- Flange Dimension : ANSI B16.5 Class 150
- Finish : 125- 250 AARH
- Body Material : ASTM A351
- Pressure testing : EN12266

Standard Compliance:

- End connection : Flange RF
- Working pressure : 275 psi (CWP)
- Temperature : -20 to 220 °C

MATERIALS LIST

NO.	PART NAME	MATERIAL
1	BODY	ASTM A351 Gr.CF8M
4	BALL	ASTM A351 Gr.CF8M
5	STEM	SS316
9	END CAP	ASTM A351 Gr.CF8M
11	BODY SEAL	PTFE.
12	SEAT	RTFE.
13	THRUST WASHER	PTFE.
14	STEM PACKING	PTFE.
15	GLAND	ASTM A351 Gr.CF8
17	STEM BUSH	PTFE.
19	HANDLE	SS304
19-1	PIPE GRIP	SS304
28	LOCKING DEVICE	SS304
35	STUD	B8M
37	BOLT NUT	8M
41	SNAP RING	SS304
42	GLAND BOLT	SS304
56	BEARING	PTFE.
82	JUNCTION HEAD	ASTM A351 Gr.CF8



DIMENSIONS

unit:mm

SIZE	PORT	L	E	H	ØG	ØJ	ØI	T	F	M	ØN	ØK	
DN15	1/2"	15.0	108.0	130.8	77.7	89.0	60.5	35.0	11.6	2.0	4	16.0	42.0
DN20	3/4"	20.0	117.0	130.8	80.2	98.0	70.0	43.0	11.6	2.0	4	16.0	42.0
DN25	1"	25.4	127.0	163.0	92.1	108.0	79.5	51.0	12.0	2.0	4	16.0	50.0
DN32	1-1/4"	32.0	140.0	163.0	96.8	117.5	88.5	63.5	13.3	2.0	4	16.0	50.0
DN40	1-1/2"	38.0	165.0	202.0	130.4	127.0	98.5	73.0	15.2	2.0	4	16.0	70.0
DN50	2"	50.0	178.0	202.0	137.9	152.0	120.5	92.0	16.3	2.0	4	19.0	70.0
DN65	2-1/2"	63.0	190.0	202.0	160.5	178.0	139.5	105.0	18.0	2.0	4	19.0	70.0
DN80	3"	80.0	203.0	323.5	174.7	190.5	152.5	127.0	19.5	2.0	4	19.0	102.0
DN100	4"	98.0	229.0	323.5	197.0	229.0	190.5	157.0	24.3	2.0	8	19.0	102.0
DN125	5"	125.0	356.0	752.5	159.3	254.0	216.0	186.0	24.5	2.0	8	22.0	125.0
DN150	6"	152.0	394.0	752.5	182.3	279.0	241.5	216.0	25.8	2.0	8	22.0	125.0
DN200	8"	200.0	457.0	839.3	241.6	343.0	298.5	270.0	29.1	2.0	8	22.0	140.0

DIMENSIONS

unit:inch

SIZE	PORT	L	E	H	ØG	ØJ	ØI	T	F	M	ØN	ØK	
DN15	1/2"	0.59	4.25	5.15	3.06	3.50	2.38	1.38	0.46	0.08	4	0.63	1.65
DN20	3/4"	0.79	4.61	5.15	3.16	3.86	2.76	1.69	0.46	0.08	4	0.63	1.65
DN25	1"	1.00	5.00	6.42	3.63	4.25	3.13	2.01	0.47	0.08	4	0.63	1.97
DN32	1-1/4"	1.26	5.51	6.42	3.81	4.63	3.50	2.50	0.52	0.08	4	0.63	1.97
DN40	1-1/2"	1.50	6.50	7.95	5.13	5.00	3.88	2.87	0.60	0.08	4	0.63	2.76
DN50	2"	1.97	7.01	7.95	5.43	5.98	4.74	3.62	0.64	0.08	4	0.75	2.76
DN65	2-1/2"	2.48	7.48	7.95	6.32	7.01	5.49	4.13	0.71	0.08	4	0.75	2.76
DN80	3"	3.15	7.99	12.74	6.88	7.50	6.00	5.00	0.77	0.08	4	0.75	4.02
DN100	4"	3.86	9.02	12.74	7.76	9.02	7.50	6.18	0.96	0.08	8	0.75	4.02
DN125	5"	4.92	14.02	29.63	9.80	10.00	8.50	7.32	0.96	0.08	8	0.87	4.92
DN150	6"	5.98	15.51	29.63	10.53	10.98	9.51	8.50	1.02	0.08	8	0.87	4.92
DN200	8"	7.87	17.99	33.04	14.29	13.50	11.75	10.63	1.15	0.08	8	0.87	5.51