

Fig No. VF-51 Reduced Bore
1" ~ 6" DN25 ~ DN150



Feature :

- Investment Casting Component
- ISO 5211 mounting Flange
- Blow-out-proof stem, Anti-Static Design
- For Flow & Steam control
- Carbon steel or Super Alloy upon request

Standard Compliance:

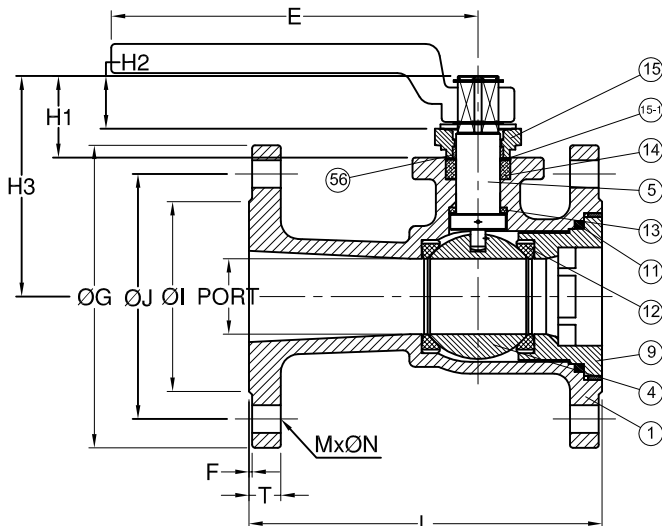
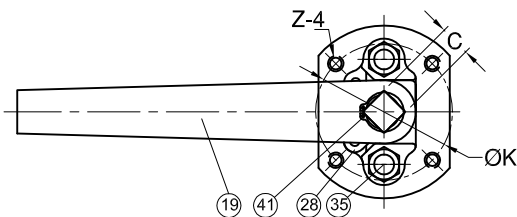
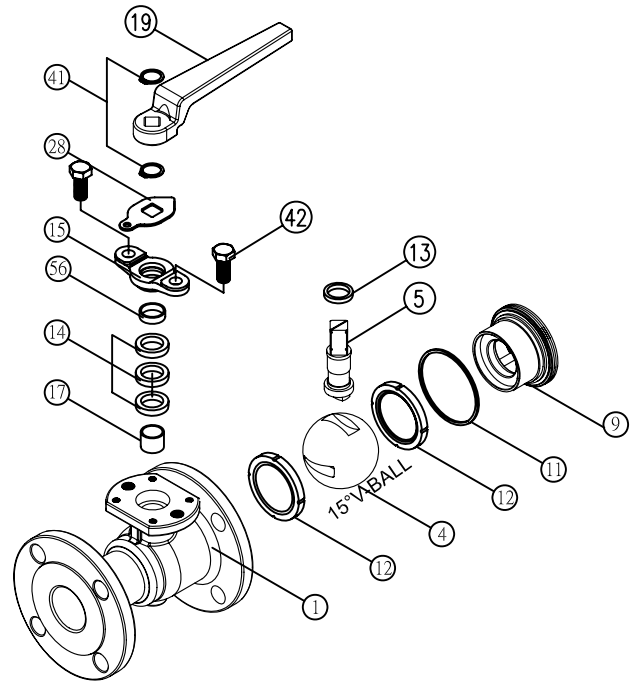
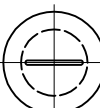
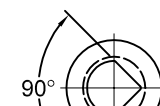
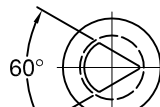
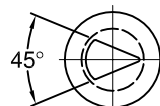
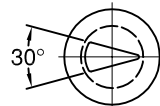
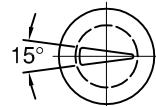
- Body wall thickness : B16.34
- Face to Face : ANSI B16.10 Class 150
- Flange Dimension : ANSI B16.5 Class 150
- Finish : 125- 250 AARH
- Body Material : ASME A351
- Pressure testing : EN12266

Standard Compliance:

- End connection : Flange RF
- Working pressure : 275 psi (CWP)
- Temperature : -20 to 220 °C

MATERIALS LIST

NO.	PART NAME	MATERIAL
1	BODY	ASTM A351 Gr.CF8M
4	BALL	ASTM A351 Gr.CF8M
9	INSERT CAP	ASTM A351 Gr.CF8M
11	BODY SEAL	PTFE.
12	SEAT	RTFE/PTFE+50% S.S.
13	THRUST WASHER	PTFE.
14	STEM PACKING	PTFE.
15	GLAND	SS304
15-1	GLAND WASHER	PTFE.
19	HANDLE	FC45
28	LOCKING DEVICE	SS304
35	BODY BOLT	SS304
41	SNAP RING	SS304
56	BEARING	PTFE.



DESIGN DESCRIPTION:
 FACE TO FACE : ASME B16.10
 FLANGE DIMENSION: ASME B16.5

DIMENSIONS

unit:mm

SIZE	PORT	L	E	H	ØG	ØJ	ØI	T	F	M	ØN	ØK	ØD	
DN25	1"	20.0	127.0	130.8	80.2	108.0	79.5	51.0	12.0	2.0	4	16.0	42.0	25.0
DN40	1-1/2"	32.5	165.0	163.0	99.0	127.0	98.5	73.0	14.8	2.0	4	16.0	50.0	38.0
DN50	2"	38.0	178.0	202.0	130.4	152.0	120.5	97.0	16.5	2.0	4	19.0	70.0	46.0
DN65	2-1/2"	50.0	190.0	202.0	137.9	178.0	139.5	105.0	18.0	2.0	4	19.0	70.0	65.0
DN80	3"	58.0	203.0	323.5	159.3	190.0	152.5	127.0	19.5	2.0	4	19.0	102.0	78.0
DN100	4"	80.0	229.0	323.5	182.3	229.0	190.5	163.0	24.3	2.0	8	19.0	102.0	95.0
DN150	6"	115.0	267.0	752.5	241.6	279.0	241.5	216.0	25.4	2.0	8	22.0	125.0	150.0

DIMENSIONS

unit:inch

Size	PORT	L	E	H1	H2	H3	C	ØG	ØJ	ØI	T	F	MxØN	ØK	Z	
DN15	1/2"	0.49	4.25	5.12	0.69	0.33	1.77	0.35	3.50	2.37	1.37	0.44	0.06	4xØ0.63	1.42	1/4"-20
DN20	3/4"	0.63	4.61	5.12	0.69	0.35	1.86	0.35	3.86	2.75	1.69	0.44	0.06	4xØ0.63	1.42	1/4"-20
DN25	1"	0.79	5.00	5.15	0.87	0.49	3.17	0.43	4.25	3.13	2.00	0.44	0.06	4xØ0.63	1.97	1/4"-20
DN40	1-1/2"	1.26	6.50	6.50	1.15	0.61	3.40	0.55	5.00	3.87	2.87	0.56	0.06	4xØ0.63	1.97	1/4"-20
DN50	2"	1.50	7.01	7.95	1.51	0.85	4.59	0.67	5.98	4.75	3.63	0.62	0.06	4xØ0.75	2.76	5/16"-18
DN65	2-1/2"	2.01	7.48	7.95	1.51	0.85	5.47	0.67	7.01	5.50	4.13	0.69	0.06	4xØ0.75	2.76	5/16"-18
DN80	3"	2.28	7.99	12.93	2.30	1.24	6.67	0.87	7.48	6.00	5.00	0.75	0.06	4xØ0.75	4.02	3/8"-16
DN100	4"	3.15	9.02	12.93	2.37	1.30	7.61	0.87	9.02	7.50	6.19	0.94	0.06	8xØ0.75	4.02	3/8"-16
DN150	6"	4.49	10.51	29.63	2.95	1.79	10.08	1.06	10.98	9.50	8.50	1.00	0.06	8xØ0.87	4.92	1/2"-13