

Fig No. VF-51 Reduced Bore
1" ~ 6" DN25 ~ DN150



Feature :

- Investment Casting Component
- ISO 5211 mounting Flange
- Blow-out-proof stem, Anti-Static Design
- For Flow & Steam control
- Carbon steel or Super Alloy upon request

Standard Compliance:

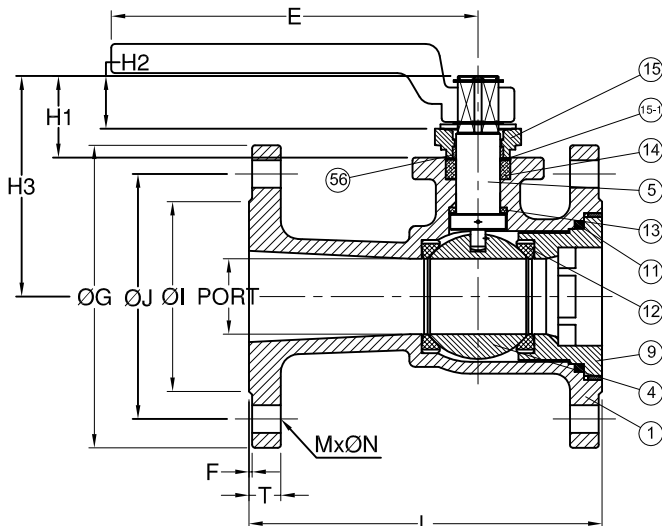
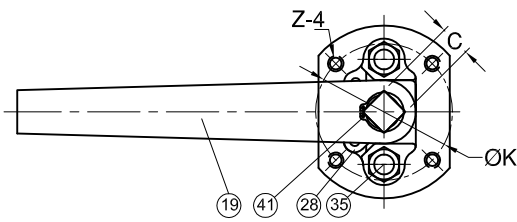
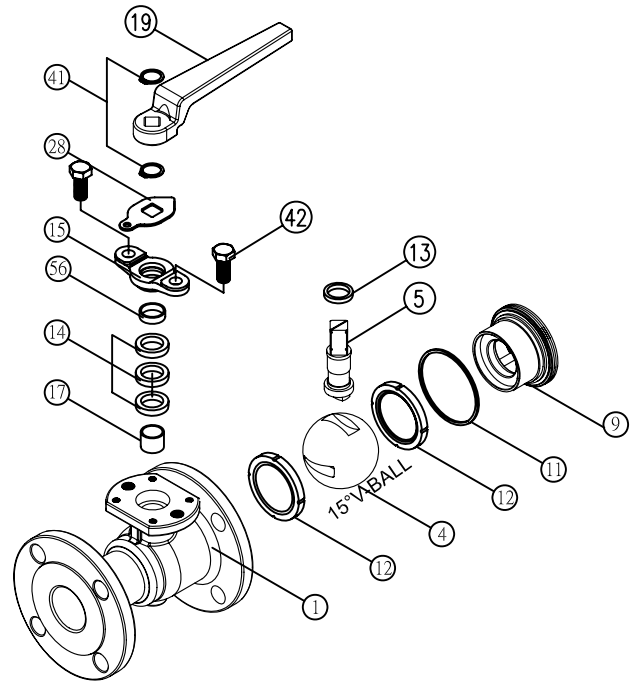
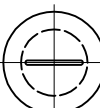
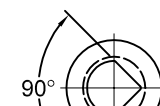
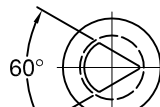
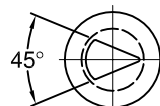
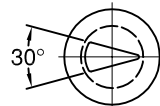
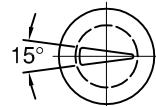
- Body wall thickness : B16.34
- Face to Face : ANSI B16.10 Class 150
- Flange Dimension : ANSI B16.5 Class 150
- Finish : 125- 250 AARH
- Body Material : ASME A351
- Pressure testing : EN12266

Standard Compliance:

- End connection : Flange RF
- Working pressure : 275 psi (CWP)
- Temperature : -20 to 220 °C

MATERIALS LIST

| NO. | PART NAME | MATERIAL |
|------|----------------|--------------------|
| 1 | BODY | ASTM A351 Gr.CF8M |
| 4 | BALL | ASTM A351 Gr.CF8M |
| 9 | INSERT CAP | ASTM A351 Gr.CF8M |
| 11 | BODY SEAL | PTFE. |
| 12 | SEAT | RTFE/PTFE+50% S.S. |
| 13 | THRUST WASHER | PTFE. |
| 14 | STEM PACKING | PTFE. |
| 15 | GLAND | SS304 |
| 15-1 | GLAND WASHER | PTFE. |
| 19 | HANDLE | FC45 |
| 28 | LOCKING DEVICE | SS304 |
| 35 | BODY BOLT | SS304 |
| 41 | SNAP RING | SS304 |
| 56 | BEARING | PTFE. |



DESIGN DESCRIPTION:
 FACE TO FACE : ASME B16.10
 FLANGE DIMENSION: ASME B16.5

DIMENSIONS

unit:mm

| SIZE | PORT | L | E | H | ØG | ØJ | ØI | T | F | M | ØN | ØK | ØD | |
|-------|--------|-------|-------|-------|-------|-------|-------|-------|------|-----|----|------|-------|-------|
| DN25 | 1" | 20.0 | 127.0 | 130.8 | 80.2 | 108.0 | 79.5 | 51.0 | 12.0 | 2.0 | 4 | 16.0 | 42.0 | 25.0 |
| DN40 | 1-1/2" | 32.5 | 165.0 | 163.0 | 99.0 | 127.0 | 98.5 | 73.0 | 14.8 | 2.0 | 4 | 16.0 | 50.0 | 38.0 |
| DN50 | 2" | 38.0 | 178.0 | 202.0 | 130.4 | 152.0 | 120.5 | 97.0 | 16.5 | 2.0 | 4 | 19.0 | 70.0 | 46.0 |
| DN65 | 2-1/2" | 50.0 | 190.0 | 202.0 | 137.9 | 178.0 | 139.5 | 105.0 | 18.0 | 2.0 | 4 | 19.0 | 70.0 | 65.0 |
| DN80 | 3" | 58.0 | 203.0 | 323.5 | 159.3 | 190.0 | 152.5 | 127.0 | 19.5 | 2.0 | 4 | 19.0 | 102.0 | 78.0 |
| DN100 | 4" | 80.0 | 229.0 | 323.5 | 182.3 | 229.0 | 190.5 | 163.0 | 24.3 | 2.0 | 8 | 19.0 | 102.0 | 95.0 |
| DN150 | 6" | 115.0 | 267.0 | 752.5 | 241.6 | 279.0 | 241.5 | 216.0 | 25.4 | 2.0 | 8 | 22.0 | 125.0 | 150.0 |

DIMENSIONS

unit:inch

| Size | PORT | L | E | H1 | H2 | H3 | C | ØG | ØJ | ØI | T | F | MxØN | ØK | Z | |
|-------|--------|------|-------|-------|------|------|-------|------|-------|------|------|------|------|---------|------|----------|
| DN15 | 1/2" | 0.49 | 4.25 | 5.12 | 0.69 | 0.33 | 1.77 | 0.35 | 3.50 | 2.37 | 1.37 | 0.44 | 0.06 | 4xØ0.63 | 1.42 | 1/4"-20 |
| DN20 | 3/4" | 0.63 | 4.61 | 5.12 | 0.69 | 0.35 | 1.86 | 0.35 | 3.86 | 2.75 | 1.69 | 0.44 | 0.06 | 4xØ0.63 | 1.42 | 1/4"-20 |
| DN25 | 1" | 0.79 | 5.00 | 5.15 | 0.87 | 0.49 | 3.17 | 0.43 | 4.25 | 3.13 | 2.00 | 0.44 | 0.06 | 4xØ0.63 | 1.97 | 1/4"-20 |
| DN40 | 1-1/2" | 1.26 | 6.50 | 6.50 | 1.15 | 0.61 | 3.40 | 0.55 | 5.00 | 3.87 | 2.87 | 0.56 | 0.06 | 4xØ0.63 | 1.97 | 1/4"-20 |
| DN50 | 2" | 1.50 | 7.01 | 7.95 | 1.51 | 0.85 | 4.59 | 0.67 | 5.98 | 4.75 | 3.63 | 0.62 | 0.06 | 4xØ0.75 | 2.76 | 5/16"-18 |
| DN65 | 2-1/2" | 2.01 | 7.48 | 7.95 | 1.51 | 0.85 | 5.47 | 0.67 | 7.01 | 5.50 | 4.13 | 0.69 | 0.06 | 4xØ0.75 | 2.76 | 5/16"-18 |
| DN80 | 3" | 2.28 | 7.99 | 12.93 | 2.30 | 1.24 | 6.67 | 0.87 | 7.48 | 6.00 | 5.00 | 0.75 | 0.06 | 4xØ0.75 | 4.02 | 3/8"-16 |
| DN100 | 4" | 3.15 | 9.02 | 12.93 | 2.37 | 1.30 | 7.61 | 0.87 | 9.02 | 7.50 | 6.19 | 0.94 | 0.06 | 8xØ0.75 | 4.02 | 3/8"-16 |
| DN150 | 6" | 4.49 | 10.51 | 29.63 | 2.95 | 1.79 | 10.08 | 1.06 | 10.98 | 9.50 | 8.50 | 1.00 | 0.06 | 8xØ0.87 | 4.92 | 1/2"-13 |