



Fig No: MD-63-2500 Reduce Bore

3"x2"~12"x10"



Feature:

- Design: API6D, ASME B16.34, API607/ API6FA fire safe design
- Side entry ball
- Anti-static design, Anti blow-out-stem
- Carbon steel or special alloy upon request
- Cast steel are also supplied in full compliance with NACE MR0175

Service:

- General, Low Temperature, Cryogenic, Sub sea, Oil & Gas application, High temperature, Underground

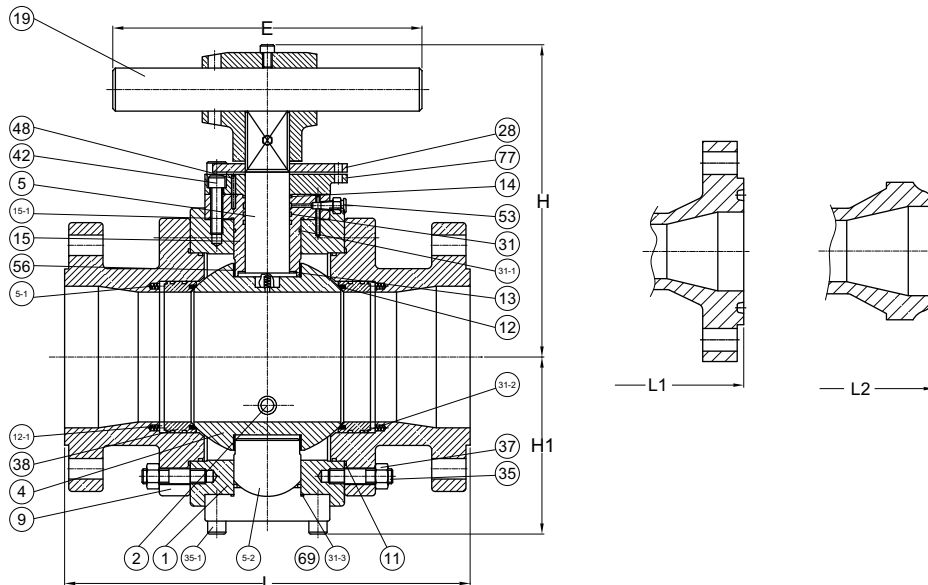
Design:

- 3-pc Design, by forged
- Reduce Bore
- Face to face: ASME B16.10
- Flange connection: ASME B16.5 Class 2500 RF (Above size 26", which would compliance with ASME B16.47)
- Pressure-Temperature Rating: ASME/ANSI B16.34
- Testing and inspection: API6D, API598
- Automatically Drain Plug (NPT) on Body(2"~4" - option, Upward 6" - Basic function)
- Double bleed and Block (2"~4" - option, Upward 6" - Basic function)
- Sealant Emergently Injection Fittings (2"~4" - option, Upward 6" - Basic function)

Options:

- With Locking Device
- Extended Stem (Cryogenic application)
- Actuator installation
- Gear Box

Size:3"x2"~8"x4"



DIMENSIONS(CLASS 2500Lb)

unit:mm

| SIZE | | L | L1 | L2 | E | H | H1 | Wt (kg) |
|-------------|-------------|--------|--------|--------|--------|-------|-------|---------|
| DN80XDN50 | 3"x2" ® | 578.0 | 584.0 | 578.0 | 1000.0 | 240.0 | 129.0 | 185.0 |
| DN80XDN65 | 3"x2-1/2" © | 578.0 | 584.0 | 578.0 | 1000.0 | 270.0 | 135.0 | 198.0 |
| DN100XDN65 | 4"x2-1/2" ® | 673.0 | 683.0 | 673.0 | 1000.0 | 270.0 | 135.0 | 217.0 |
| DN100XDN80 | 4"x3" © | 673.0 | 683.0 | 673.0 | 1000.0 | 300.0 | 159.0 | 275.0 |
| DN150XDN80 | 6"x3" ® | 914.0 | 927.0 | 914.0 | 1000.0 | 300.0 | 159.0 | 420.0 |
| DN150XDN100 | 6"x4" © | 914.0 | 927.0 | 914.0 | -- | 350.0 | 204.0 | 526.0 |
| DN200XDN100 | 8"x4" ® | 1022.0 | 1038.0 | 1022.0 | -- | 350.0 | 204.0 | 654.0 |

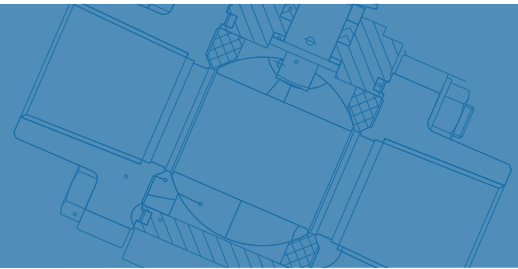
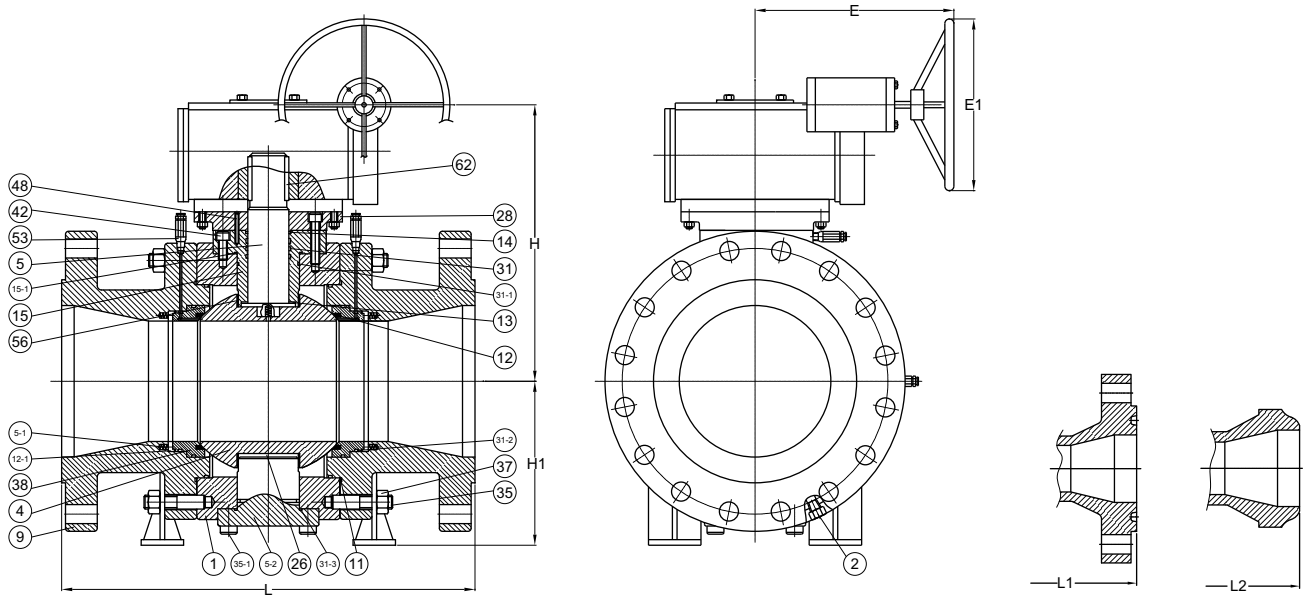


Fig No: MD-63-2500 Reduce Bore

Size:8"x6"~12"x8"



MATERIALS LIST

| NO. | DESCRIPTION | MATERIAL |
|------|----------------------|---|
| 1 | BODY | A105,A350-LF2,A182-F304,F316,F304L,F316L,F321,F51,F53 |
| 2 | DRAIN VALVE AND PLUG | 1025,SS304,SS316,SS304L,SS316L,SS321,F51,F53 |
| 4 | BALL | A105+ENP,A182-F8,F304,F316,F304L,F316L,F321,F51,F53 |
| 5 | STEM | 1045+ENP,A182-F6,F304,F316,F304L,F316L,F321,F51,F53,4140+ENP,17-4PH |
| 9 | ADAPTER | A105,A350-LF2,A182-F304,F316,F304L,F316L,F321,F51,F53 |
| 11 | GASKET | SS304,SS316+FLEXIBLE GRAPHITE SPIRAL WOUND |
| 12 | SEAT | PTFE,RTFE,PEEK,PPL,POM,KARBATE,NYLON,MOLON,DEVLON |
| 12-1 | SEAT RING | A105+ENP,A182-F8,F304,F316,F304L,F316L,F321,F51,F53 |
| 13 | THRUST WASHER | PTFE,RTFE,STAINLESS STEEL+N |
| 14 | PACKING | FLEXIBLE GRAPHITE |
| 15 | STUFFING BOX | A105+ENP,A182-F8,F304,F316,F304L,F316L,F321,F51,F53 |
| 15-1 | SEALING RING | SS304,SS316+FLEXIBLE GRAPHITE SPIRAL WOUND |
| 28 | CONNECTION PLATE | 1025,A216 WCB,A351 CF8 |
| 31 | O-RING | VITON |
| 31-1 | O-RING | NBR,VITON |
| 31-2 | O-RING | VITON |
| 35 | BOLT | A194-B7,B7M,B8,B8M |
| 37 | NUT | A194-2H,2HM,8,8M |
| 38 | SEALING RING | FLEXIBLE GRAPHITE |
| 42 | SCREW | 1035,STAINLESS STEEL |
| 48 | PIN | ANSI 1566,STAINLESS STEEL |
| 48-1 | PIN | 1045,STAINLESS STEEL |
| 53 | GREASE FITTING | 1025,SS304,SS316,SS304L,SS316L,SS321,F51,F53 |
| 56 | BEARING | 1045+RPTFE.,SS304+RPTFFE.,SS316+RPTFE. |
| 62 | KEY | 1045 |
| 69 | ADJUSTING RING | PTFE,1045+RPTFE,STAINLESS STEEL+RPTFE |
| 76 | BEARING RETAINER | 1025,A216-WCB,STAINLESS STEEL |
| 77 | SUPPORT LEG | 1025 |

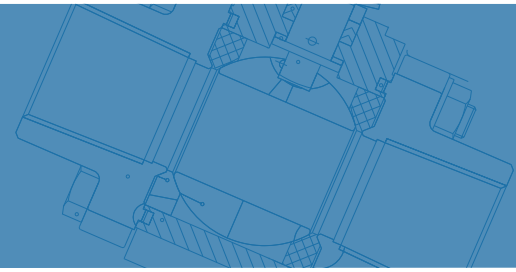


Fig No: MD-63-2500 Reduce Bore

DIMENSIONS(CLASS 2500Lb)

unit:mm

| SIZE | | L | L1 | L2 | E | E1 | H | H1 | Wtl (kg) | Wtll (kg) |
|-------------|-----------|--------|--------|--------|-------|-------|-------|-------|-------------|--------------|
| DN200XDN150 | 8"X6" Ⓜ | 1022.0 | 1038.0 | 1022.0 | 430.0 | 450.0 | 345.0 | 250.0 | 1176.0 | 1120.0 |
| DN250XDN150 | 10"X6" Ⓜ | 1270.0 | 1292.0 | 1270.0 | 430.0 | 450.0 | 345.0 | 250.0 | -- | -- |
| DN250XDN200 | 10"X8" Ⓞ | 1270.0 | 1292.0 | 1270.0 | 510.0 | 500.0 | 402.0 | 340.0 | 2289.0 | 2180.0 |
| DN300XDN200 | 12"X8" Ⓜ | 1422.0 | 1445.0 | 1422.0 | 510.0 | 500.0 | 402.0 | 340.0 | -- | -- |
| DN300XDN250 | 12"X10" Ⓞ | 1422.0 | 1445.0 | 1422.0 | 510.0 | 500.0 | 500.0 | 411.0 | 3516.0 | 3350.0 |

* Ⓜ Reduce Bore Ⓞ Regular Bore

* Modentic Reserves The Rights To Change Any Details Without Prior Notice.