

**Fig No: MD-54-600 Full Bore**  
**16"~56"**



**Feature:**

Design: API6D, ASME B16.34, API607/ API6FA fire safe design  
 Side entry ball  
 Anti-static design, Anti blow-out-stem  
 Carbon steel or special alloy upon request  
 Cast steel are also supplied in full compliance with NACE MR0175

**Service:**

General, Low Temperature, Cryogenic, Sub sea, Oil & Gas application, High temperature, Underground

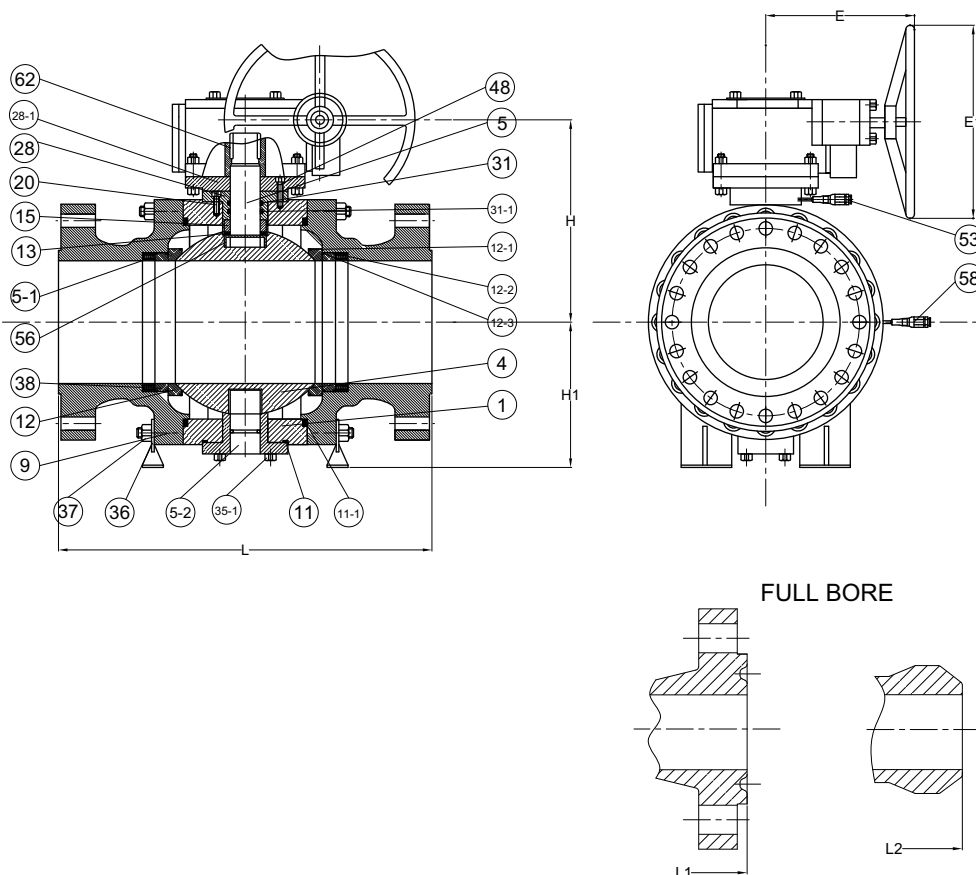
**Design:**

3-pc Design, by casting  
 Full Bore  
 Face to face: ASME B16.10  
 Flange connection: ASME B16.5 Class 600 RF ( Above size 26", which would compliance with ASME B16.47 )  
 Pressure-Temperature Rating: ASME/ANSI B16.34  
 Testing and inspection: API6D, API598  
 •Automatically Drain Plug (NPT) on Body( 2"~4" - option, Upward 6" - Basic function )  
 •Double bleed and Block( 2"~4" - option, Upward 6" - Basic function )  
 •Sealant Emergently Injection Fittings( 2"~4" - option, Upward 6" - Basic function )

**Options:**

- With Locking Device
- Extended Stem ( Cryogenic application )
- Actuator installation
- Gear Box

**Size:16"~22"**



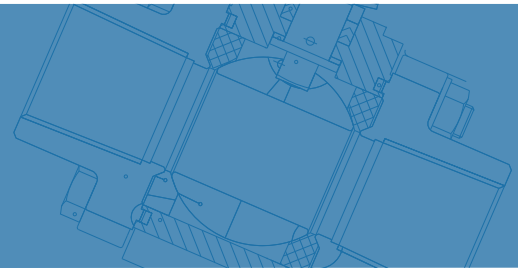
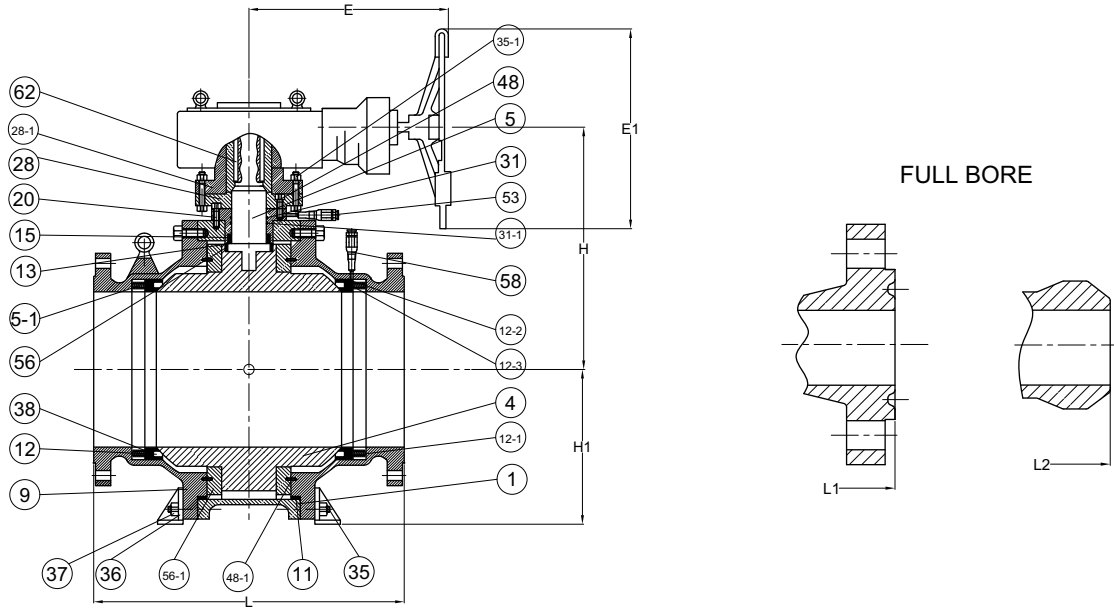


Fig No: MD-54-600 Full Bore

Size:24"~56"



**MATERIALS LIST**

| NO.  | PART NAME        | MATERIAL   |
|------|------------------|--|
| 1    | BODY             | A216-WCB,WCC,A352-LCB,A351-CF8,CF8M,CF3,CF3M,CN7M,CF8C,CDMCu,CN-3MN          |
| 4    | BALL             | A105+ENP,A182-F6,F304,F316,F304L,F316L,F321,F51,F53,ALLOY-20                 |
| 5    | STEM             | 1045+ENP,A182-F6,F304,F316,F304L,F316L,F321,F51,F53,ALLOY-20,4140+ENP,17-4PH |
| 5-1  | SPRING           | SS304,INCONEL,1566+ENP   |
| 9    | CAP              | A216-WCB,WCC,A352-LCB,A351-CF8,CF8M,CF3,CF3M,CN7M,CF8C,CD4MCu,CN-3MN         |
| 11   | GASKET           | SS304,SS316+FLEXIBLE GRAPHITE SPIRAL WOUND                                   |
| 12   | SEAT             | PTFE,RPTFE,NYLON,PEEK,PPL,POM, KARBATE,MOLON,DEVLON                          |
| 12-1 | SEALING RING     | FLEXIBLE GRAPHITE  |
| 12-2 | SEALING RING     | SS304,SS316+FLEXIBLE GRAPHITE SPIRAL WOUND                                   |
| 12-3 | O-RING           | VITON  |
| 13   | THRUST WASHER    | PTFE,RPTFE,STAINLESS STEEL+N   |
| 15   | PACKING          | FLEXIBLE GRAPHITE  |
| 20   | SCREW            | 1035,STAINLESS STEEL   |
| 28   | STUFFING BOX     | A105+ENP,A182-F6,F304,F316,F304L,F316L,F321,F51,F53,ALLOY-20                 |
| 28-1 | CONNECTING PLATE | 1025,A216-WCB,A351-CF8   |
| 31   | O-RING           | VITON  |
| 31-1 | O-RING           | NBR,VITON  |
| 35   | BOLT             | A193-B7,B7M,B8,B8M   |
| 35-1 | SCREW            | 1025,SS304   |
| 36   | ADJUST WASHER    | PTFE,1045+RPTFE,STAINLESS STEEL+RPTFE  |
| 37   | NUT              | A194-2H,2HM,8,8M   |
| 38   | SEAT RING        | A105+ENP,A182-F6,F304,F316,F304L,F316L,F321,F51,F53,ALLOY-20                 |
| 48   | PIN              | ANSI 1566  |
| 48-1 | PIN              | 1045,SS  |
| 53   | OIL CUP          | 1025,SS304   |
| 56   | BEARING          | 1045+RPTFE,SS304+RPTFE,SS316+RPTFE   |
| 56-1 | BEARING RETAINER | 1025,A216-WCB,A351-CF8   |
| 58   | GREASE FITTING   | 1025,SS304,SS316,SS304L,SS316L,SS321,ALLOY-20,F51,F53                        |
| 62   | KEY              | 1045   |

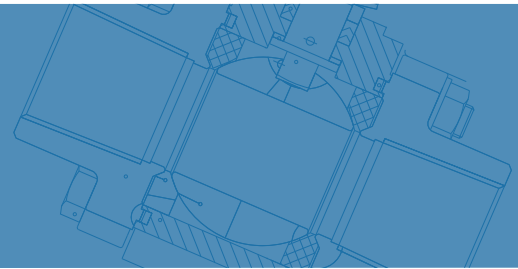


Fig No: MD-54-600 Full Bore

**ANSI CLASS 600 DIMENSIONS**

unit:mm

| SIZE             | L       | L1     | L2      | E     | E1     | H      | H1     | Wt1(kg) | Wt2(kg) |
|------------------|---------|--------|---------|-------|--------|--------|--------|---------|---------|
| 16"              | 991.0   | 994.0  | 991.0   | 510.0 | 500.0  | 643.0  | 416.0  | 1549.0  | 1475.0  |
| 18"              | 1092.0  | 1095.0 | 1092.0  | 510.0 | 500.0  | 723.0  | 455.0  | 1828.0  | 1741.0  |
| 20"              | 1194.0  | 1200.0 | 1194.0  | 530.0 | 550.0  | 823.0  | 522.0  | 2320.0  | 2210.0  |
| 22"              | 1295.0  | 1305.0 | 1295.0  | 530.0 | 812.0  | 845.0  | 592.0  | 3899.0  | 3714.0  |
| 24"              | 1397.0  | 1407.0 | 1397.0  | ---   | 812.0  | 866.0  | 615.0  | 3665.0  | 3490.0  |
| 26"              | 1448.0  | 1461.0 | 1448.0  | ---   | 812.0  | 924.0  | 630.0  | 4751.0  | 4525.0  |
| 28" <sup>Ⓜ</sup> | 1549.0  | 1562.0 | 1549.0  | ---   | 812.0  | 956.0  | 700.0  | 5405.0  | 5148.0  |
| 30"              | 1651.0  | 1664.0 | 1651.0  | ---   | 914.0  | 1038.0 | 726.0  | 6056.0  | 5768.0  |
| 32"              | 1778.0  | 1794.0 | 1778.0  | ---   | 914.0  | 1218.0 | 788.0  | 7253.0  | 6908.0  |
| 34"              | 1930.0  | 1946.0 | 1930.0  | ---   | 914.0  | 1230.0 | 815.0  | 7778.0  | 7408.0  |
| 36"              | 2083.0  | 2099.0 | 2083.0  | ---   | 914.0  | 1269.0 | 875.0  | 9182.0  | 8745.0  |
| 40"              | *2080.0 |        | *2170.0 | ---   | 914.0  | 1342.0 | 945.0  | 12584.0 | 11985.0 |
| 42"              | *2175.0 | ---    | ---     | ---   | 1016.0 | 1520.0 | 989.0  | 14805.0 | 14100.0 |
| 48"              | *2435.0 | ---    | ---     | ---   | 1016.0 | 1655.0 | 1120.0 | 22699.0 | 21618.0 |
| 56"              | *2710.0 | ---    | ---     | ---   | ---    | ---    | ---    | ---     | ---     |

\* <sup>Ⓜ</sup> Reduce Bore    <sup>Ⓞ</sup> Regular Bore

\* Modentic Reserves The Rights To Change Any Details Without Prior Notice.