



Fig No: MD-53-600 Reduce Bore
18"x16"~36"x30"



Feature:

Design: API6D, ASME B16.34, API607/ API6FA fire safe design
 Side entry ball
 Anti-static design, Anti blow-out-stem
 Carbon steel or special alloy upon request
 Cast steel are also supplied in full compliance with NACE MR0175

Service:

General, Low Temperature, Cryogenic, Sub sea, Oil & Gas application, High temperature, Underground

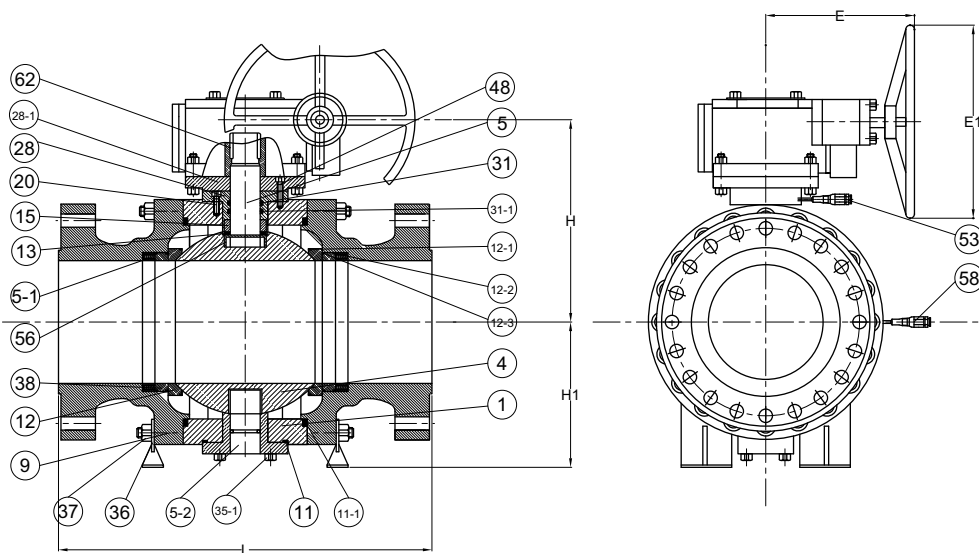
Design:

3-pc Design, by casting
 Reduce Bore
 Face to face: ASME B16.10
 Flange connection: ASME B16.5 Class 600 RF (Above size 26", which would compliance with ASME B16.47)
 Pressure-Temperature Rating: ASME/ANSI B16.34
 Testing and inspection: API6D, API598
 •Automatically Drain Plug (NPT) on Body(2"~4" - option, Upward 6" - Basic function)
 •Double bleed and Block(2"~4" - option, Upward 6" - Basic function)
 •Sealant Emergently Injection Fittings(2"~4" - option, Upward 6" - Basic function)

Options:

- With Locking Device
- Extended Stem (Cryogenic application)
- Actuator installation
- Gear Box

Size:18"x16"~24"x22"



REDUCED BORE

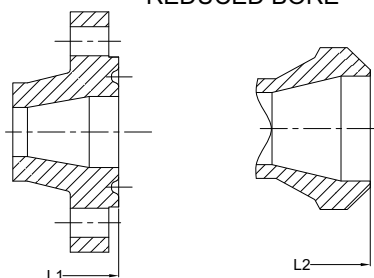
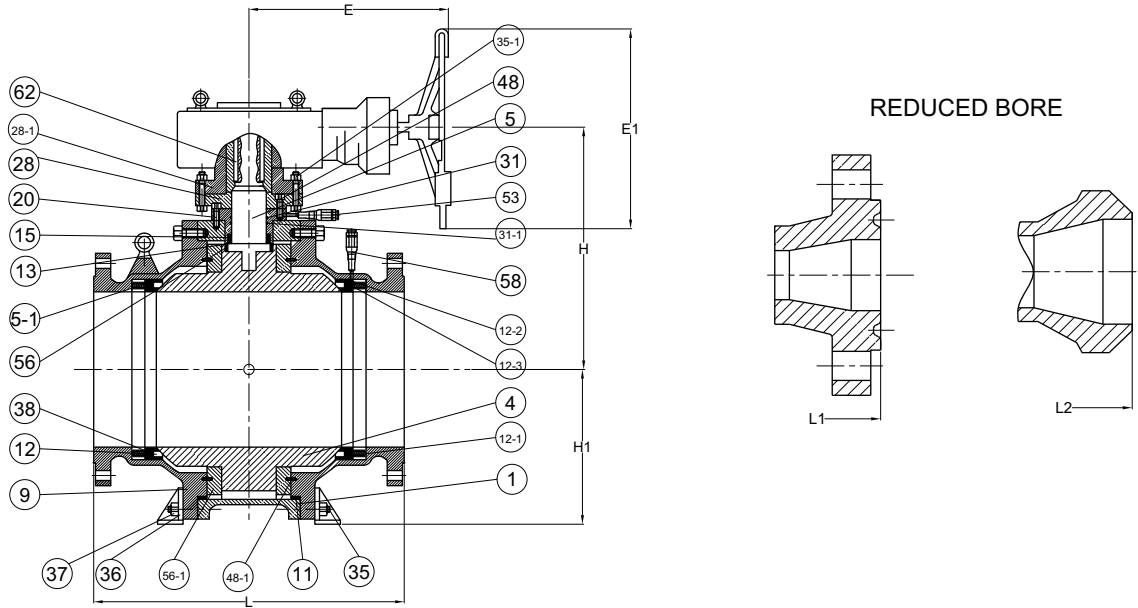




Fig No: MD-53-600 Reduce Bore

30"x24"~36"x30"



MATERIALS LIST

| NO. | PART NAME | MATERIAL |
|------|------------------|--|
| 1 | BODY | A216-WCB,WCC,A352-LCB,A351-CF8,CF8M,CF3,CF3M,CN7M,CF8C,CDMCu,CN-3MN |
| 4 | BALL | A105+ENP,A182-F6,F304,F316,F304L,F316L,F321,F51,F53,ALLOY-20 |
| 5 | STEM | 1045+ENP,A182-F6,F304,F316,F304L,F316L,F321,F51,F53,ALLOY-20,4140+ENP,17-4PH |
| 5-1 | SPRING | SS304,INCONEL,1566+ENP |
| 9 | CAP | A216-WCB,WCC,A352-LCB,A351-CF8,CF8M,CF3,CF3M,CN7M,CF8C,CD4MCu,CN-3MN |
| 11 | GASKET | SS304,SS316+FLEXIBLE GRAPHITE SPIRAL WOUND |
| 12 | SEAT | PTFE,RPTFE,NYLON,PEEK,PPL,POM, KARBATE,MOLON,DEVLON |
| 12-1 | SEALING RING | FLEXIBLE GRAPHITE |
| 12-2 | SEALING RING | SS304,SS316+FLEXIBLE GRAPHITE SPIRAL WOUND |
| 12-3 | O-RING | VITON |
| 13 | THRUST WASHER | PTFE,RPTFE,STAINLESS STEEL+N |
| 15 | PACKING | FLEXIBLE GRAPHITE |
| 20 | SCREW | 1035,STAINLESS STEEL |
| 28 | STUFFING BOX | A105+ENP,A182-F6,F304,F316,F304L,F316L,F321,F51,F53,ALLOY-20 |
| 28-1 | CONNECTING PLATE | 1025,A216-WCB,A351-CF8 |
| 31 | O-RING | VITON |
| 31-1 | O-RING | NBR,VITON |
| 35 | BOLT | A193-B7,B7M,B8,B8M |
| 35-1 | SCREW | 1025,SS304 |
| 36 | ADJUST WASHER | PTFE,1045+RPTFE,STAINLESS STEEL+RPTFE |
| 37 | NUT | A194-2H,2HM,8,8M |
| 38 | SEAT RING | A105+ENP,A182-F6,F304,F316,F304L,F316L,F321,F51,F53,ALLOY-20 |
| 48 | PIN | ANSI 1566 |
| 48-1 | PIN | 1045,SS |
| 53 | OIL CUP | 1025,SS304 |
| 56 | BEARING | 1045+RPTFE,SS304+RPTFE,SS316+RPTFE |
| 56-1 | BEARING RETAINER | 1025,A216-WCB,A351-CF8 |
| 58 | GREASE FITTING | 1025,SS304,SS316,SS304L,SS316L,SS321,ALLOY-20,F51,F53 |
| 62 | KEY | 1045 |



API 6D Trunnion Mounted Ball Valve

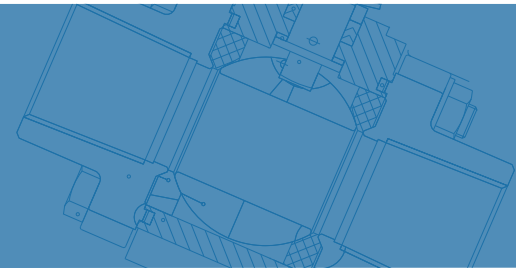


Fig No: MD-53-600 Reduce Bore

ANSI CLASS 600 DIMENSIONS

unit:mm

| SIZE | L | L1 | L2 | E | E1 | H | H1 | Wt1(kg) | Wt2(kg) |
|----------|--------|--------|--------|-------|-------|--------|-------|---------|---------|
| 18x16" Ⓒ | 1092.0 | 1095.0 | 1092.0 | 510.0 | 500.0 | 643.0 | 416.0 | 1695.0 | 1615.0 |
| 20X16" Ⓒ | 1194.0 | 1200.0 | 1194.0 | 510.0 | 500.0 | 643.0 | 416.0 | 1778.0 | 1692.0 |
| 20X18" Ⓒ | 1194.0 | 1200.0 | 1194.0 | 510.0 | 500.0 | 723.0 | 455.0 | 1935.0 | 1843.0 |
| 24X20" Ⓒ | 1397.0 | 1407.0 | 1397.0 | 530.0 | 550.0 | 823.0 | 522.0 | 3235.0 | 3081.0 |
| 24X22" Ⓒ | 1397.0 | 1165.0 | 1397.0 | --- | 812.0 | 845.0 | 592.0 | 4057.0 | 3864.0 |
| 30x24" Ⓒ | 1651.0 | 1664.0 | 1651.0 | --- | 812.0 | 866.0 | 615.0 | 4270.0 | 4496.0 |
| 28x26" Ⓒ | 1549.0 | 1562.0 | 1549.0 | --- | 812.0 | 924.0 | 630.0 | --- | --- |
| 30x28" Ⓒ | 1651.0 | 1664.0 | 1651.0 | --- | 812.0 | 956.0 | 700.0 | --- | --- |
| 32x30" Ⓒ | 1778.0 | 1794.0 | 1778.0 | --- | 914.0 | 1038.0 | 726.0 | --- | --- |
| 36x30" Ⓒ | 2083.0 | 2009.0 | 2083.0 | --- | 914.0 | 1038.0 | 726.0 | 7415.0 | 7062.0 |

* Ⓒ Reduce Bore Ⓓ Regular Bore

* Modentic Reserves The Rights To Change Any Details Without Prior Notice.