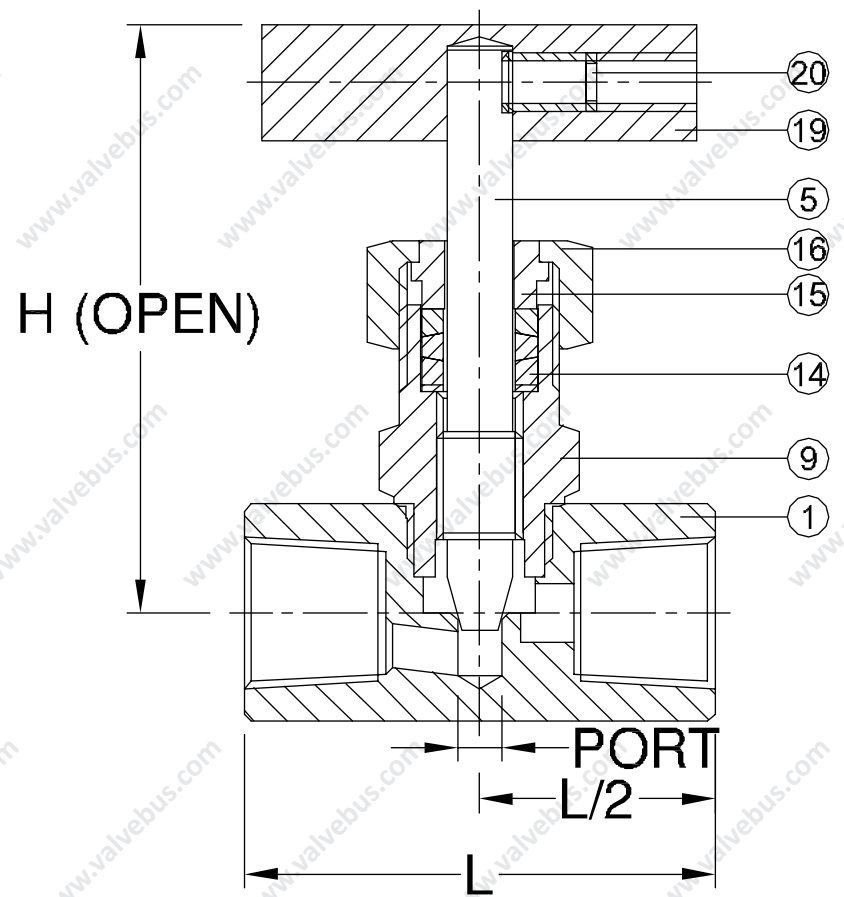


Fig No: NV-0060




DIMENSION unit:mm

SIZE	PORT	H	L/2	L
DN6	1/8"	5.0	75.0	29.0 58.0
DN8	1/4"	5.0	75.0	29.0 58.0
DN10	3/8"	5.0	75.0	29.0 58.0
DN15	1/2"	6.0	87.0	32.5 65.0
DN20	3/4"	6.0	90.0	35.0 70.0
DN25	1"	8.0	103.0	40.0 80.0

* L - IN ACCORDANCE WITH PRODUCTION LINE MANUFACTURING STANDARD.
 *THE H(OPEN) SHOWS THE DIMENSION WHILE THE VALVE IS FULL OPEN.

MATERIAL LIST

NO.	PART NAME	MATERIAL
1	BODY	ASTM A351 Gr.CF8M
5	STEM	SS316
9	BONNET	ASTM A351 Gr.CF8M
14	PACKING	NBR
15	GLAND	NBR
16	GLAND NUT	TEFLON
19	HANDLE	SS410
20	SET SCREW	SS304

CODE	J-004	APPROVED BY.	CHECK BY.	DRAWN BY.	DRAWING NO.	MATERIAL	UNIT	DESCRIPTION
 MODENTIC INDUSTRIAL CORPORATION	SIGN	JAMES	SHANA	PRESTON	NV-0060-J004	MATERIAL LIST	mm	NEEDLE VALVES, SCREWED END, 6000 PSI
	DATE	06/29/2007	06/29/2007	06/29/2007	REVISION	01	SCALE	