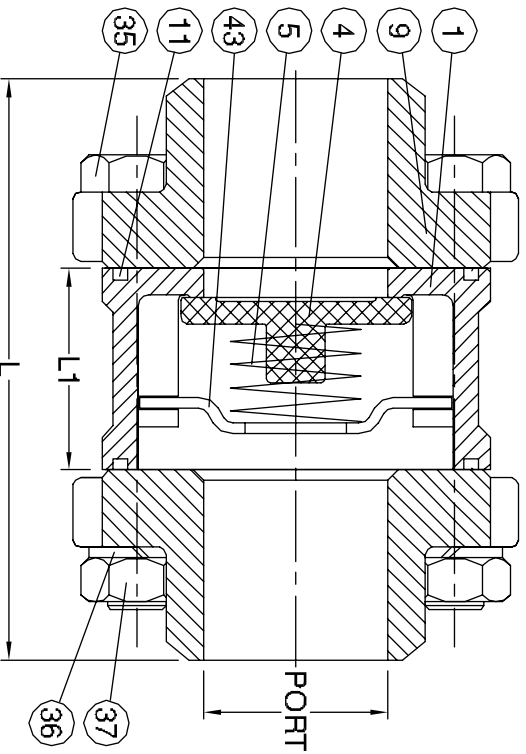


Fig No: **WA-002**

MATERIALS LIST

NO.	PART NAME	MATERIAL
1	BODY	1.4408 / EN1503-1
4	DISC	1.4408 / EN1503-1
5	SPRING	SS316
9	END CAP	1.4408 / EN1503-1
11	BODY SEAL	PTFE.
35	BODY BOLT	SS304
36	BOLT WASHER	SS304
37	BOLT NUT	SS304
43	HOLDER	SS316



DIMENSIONS

unit:mm

SIZE	PORT	L	L1
DN8	1/4"	12	63
DN10	3/8"	12	63
DN15	1/2"	15	67
DN20	3/4"	20	79
DN25	1"	25	89
DN32	1-1/4"	32	92
DN40	1-1/2"	40	106
DN50	2"	50	125
DN65	2-1/2"	65	150
DN80	3"	80	169
DN100	4"	100	210

CODE	S-008	APPROVED BY.	MICHAEL	CHECK BY.	SHANA	DRAWN BY.	SHANA	DRAWING NO.	WA-002-S008	MATERIALS LIST	UNIT	mm	DESCRIPTION	THREE PIECE SPRING CHECK VALVE, BUTT WELDING END, PN 40
		DATE	02/09/2010		02/09/2010		02/09/2010	REVISION	01	SCALE	FREE			



MODENTIC
INDUSTRIAL CORPORATION

F E D C B A