

Fig No: **MV-1222**

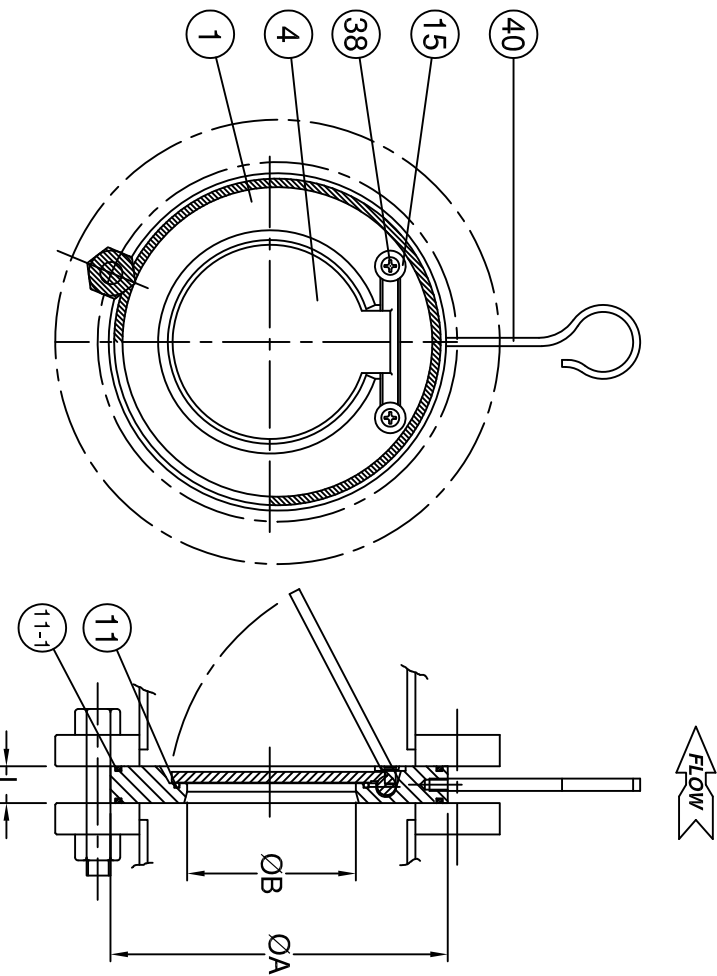
MATERIALS LIST

| NO. | PART NAME | MATERIAL |
|------|--------------|-------------------|
| 1 | BODY | ASTM A351 Gr.CF8M |
| 4 | DISC | ASTM A351 Gr.CF8M |
| 11 | BODY SEAL | METAL |
| 11-1 | CLAPPER SEAL | METAL |
| 15 | BUSH | SS316 |
| 38 | RETAINER | SS316 |
| 40 | EYE BOLT | SS316 |

DIMENSIONS

| SIZE | L | ØA | ØB | Wt(kg) |
|-------|-----|-----|-----|--------|
| DN50 | 19 | 104 | 27 | 1.1 |
| DN65 | 19 | 124 | 36 | 1.6 |
| DN80 | 19 | 134 | 46 | 1.8 |
| DN100 | 19 | 175 | 69 | 2.3 |
| DN125 | 19 | 195 | 90 | 3.5 |
| DN150 | 19 | 220 | 112 | 5.3 |
| DN200 | 29 | 279 | 142 | 10.0 |
| DN250 | 29 | 339 | 190 | 14.2 |
| DN300 | 12" | 38 | 409 | 21.1 |
| DN350 | 14" | 44 | 450 | 25.5 |
| DN400 | 16" | 51 | 514 | 30.0 |
| DN450 | 18" | 60 | 548 | 35.6 |
| DN500 | 20" | 64 | 605 | 38.7 |
| DN600 | 24" | 70 | 718 | 46.0 |

SECTION A-A



| | | | | | | | | | | | | |
|------|-------|--------------|---------|-----------|------|-----------|-------|-------------|--------------|---------------|------|---|
| CODE | C-023 | APPROVED BY: | MICHAEL | CHECK BY: | ENZO | DRAWN BY: | DAVID | DRAWING NO. | MV-1222-C023 | MATERIAL LIST | UNIT | DESCRIPTION |
| | | | | | | | | REVISION | 01 | SCALE | FREE | SINGLE PLATE WAFER TYPE CHECK VALVES, ANSI CLASS 150 |
| | | | | | | | | | | | | |

