

Fig No: **YGB-800**

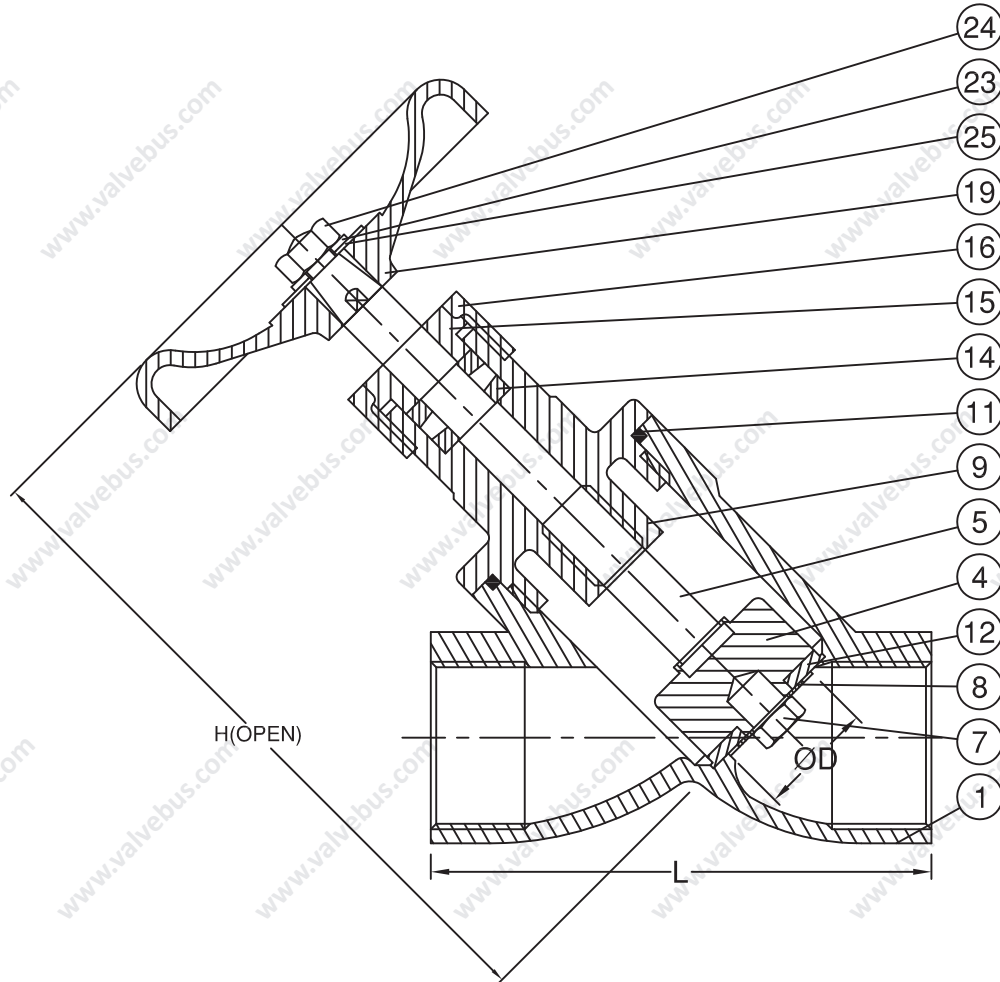
MATERIALS LIST


NO.	PART NAME	MATERIAL
1	BODY	ASTM A351 Gr.CF8M
4	DISC	SS316
5	STEM	SS316
7	DISC NUT	SS304
8	DISC WASHER	SS304
9	BONNET	ASTM A351 Gr.CF8M
11	BODY SEAL	PTFE.
12	SEAT	PTFE.
14	STEM PACKING	PTFE.
15	GLAND	SS304
16	GLAND NUT	SS304
19	HANDWHEEL	MICO STEEL
23	H.W. WASHER	SS304
24	H.W. NUT	SS304
25	NAME PLATE	ALUMINUM

DIMENSIONS

unit:mm

SIZE	L	H	ØD
DN8 1/4"	65.0	107.0	11.0
DN10 3/8"	65.0	107.0	13.0
DN15 1/2"	65.0	107.0	15.0
DN20 3/4"	80.0	122.0	20.0
DN25 1"	90.0	142.0	25.0
DN32 1-1/4"	105.0	155.0	32.0
DN40 1-1/2"	120.0	175.0	38.0
DN50 2"	140.0	195.0	50.0



CODE	J-004	APPROVED BY.	CHECK BY.	DRAWN BY.	DRAWING NO.	MATERIAL	UNIT	DESCRIPTION
 MODENTIC INDUSTRIAL CORPORATION	SIGN	MIKE	IRIS	JERRY	YGB-800-J004	MATERIALS LIST	mm	Y TYPE GLOBE VALVE, THREADED END, 800 PSI
	DATE	10/15/2010	10/15/2010	10/15/2010	REVISION	01	SCALE	