

Fig No: **GB-200**

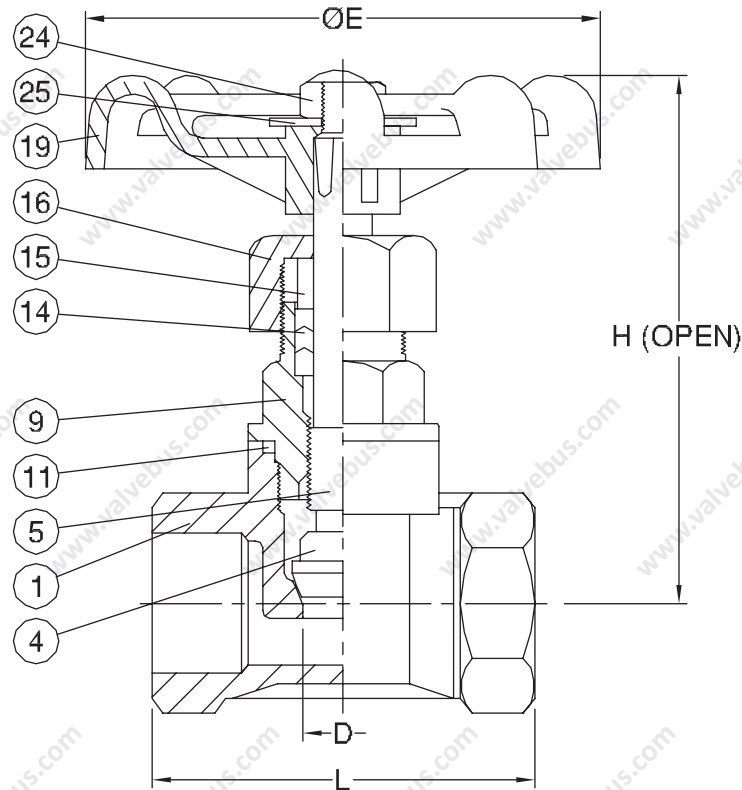
MATERIALS LIST

NO.	PART NAME	MATERIAL
1	BODY	ASTM A351 Gr.CF8M
4	DISC	SS316
5	STEM	SS316
9	BONNET	ASTM A351 Gr.CF8M
11	BODY SEAL	PTFE.
14	STEM PACKING	PTFE.
15	GLAND	SS304
16	GLAND NUT	ASTM A351 Gr.CF8M
19	HANDWHEEL	MICO STEEL
23	WASHER	SS316
24	H.W. NUT	SS304
25	NAME PLATE	ALUMINUM

DIMENSIONS

unit:mm

SIZE	L	ØE	H _(OPEN)	D	
DN8	1/4"	52	70	77	12
DN10	3/8"	52	70	77	12
DN15	1/2"	52	70	79	12
DN20	3/4"	60	70	91	15
DN25	1"	72	80	105	20
DN32	1-1/4"	81	80	127	25
DN40	1-1/2"	90	90	142	32
DN50	2"	101	100	158	40



CODE	S-008		APPROVED BY.	CHECK BY.	DRAWN BY.	DRAWING NO.	MATERIAL	UNIT	DESCRIPTION
	SIGN	MICHAEL	SHANA	SHANA	SHANA	GB-200-S008	MATERIALS LIST	mm	STAINLESS STEEL GLOBE VALVE, THREADED END, 200 PSI
	DATE	01/28/2010	01/28/2010	01/28/2010	REVISION	01	SCALE	FREE	