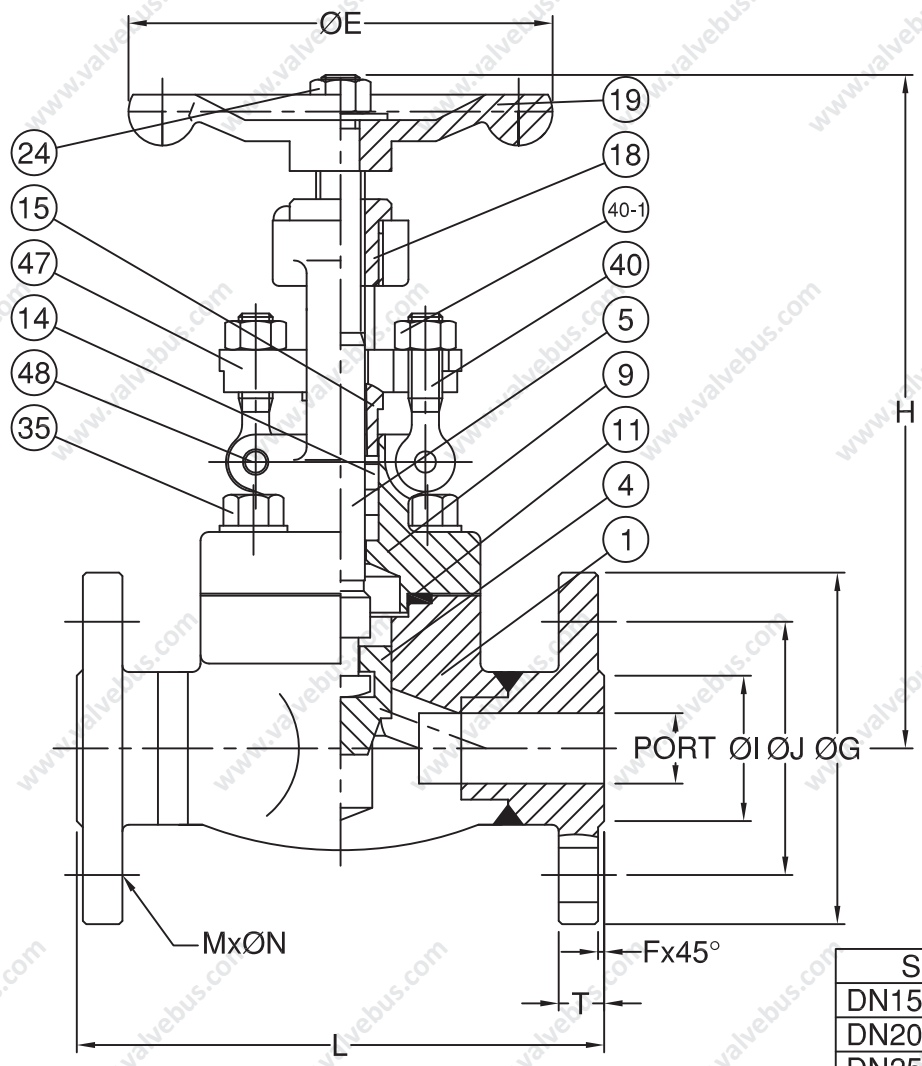


Fig No: **FGBF-300**



FLANGE DIMENSION: ASME B16.5  
FACE TO FACE: ASME B16.10

**MATERIALS LIST**

NO.	PART NAME	MATERIAL
1	BODY	ASTM A182 Gr.F316
4	DISC	ASTM A182 Gr.F316
5	STEM	ASTM A182 Gr.F316
9	BONNET	ASTM A182 Gr.F316
11	BODY SEAL	SS316+GRAPHITE
14	STEM PACKING	FLEXIBLE GRAPHITE
15	GLAND	ASTM A276 Gr.410
18	YOKE NUT	ASTM A276 Gr.410
19	HANDWHEEL	60-40-18
24	H.W. NUT	ASTM A194 Gr.2H
35	BODY BOLT	ASTM A193 Gr.B7
40	EYE BOLT	ASTM A193 Gr.B7
40-1	EYE BOLT NUT	ASTM A194 Gr.2H
47	GLAND FLANGE	ASTM A105
48	PIN	ASTM A182 Gr.F304

**DIMENSIONS**

unit:mm												
SIZE	PORT	L	ØE	H	ØG	ØJ	ØI	T	F	M	ØN	
DN15	1/2"	13.0	152.0	100.0	155.0	95.0	66.5	35.0	15.0	1.6	4	15.0
DN20	3/4"	19.0	178.0	100.0	165.0	117.0	82.5	43.0	16.0	1.6	4	19.0
DN25	1"	25.0	203.0	125.0	185.0	124.0	89.0	51.0	18.0	1.6	4	19.0
DN32	1-1/4"	32.0	216.0	160.0	220.0	133.0	98.5	64.0	19.0	1.6	4	19.0
DN40	1-1/2"	38.0	229.0	160.0	225.0	156.0	114.5	73.0	21.0	1.6	4	22.0
DN50	2"	51.0	267.0	180.0	260.0	165.0	127.0	92.0	23.0	1.6	8	19.0

CODE	T-003		APPROVED BY.	CHECK BY.	DRAWN BY.	DRAWING NO.	MATERIAL	UNIT	DESCRIPTION
	<b>MODENTIC</b>	INDUSTRIAL CORPORATION	SIGN	MIKE	JERRY	DAVID	FGBF-300-T003	MATERIALS LIST	FORGED STEEL GLOBE VALVES, FLANGED END, ANSI CLASS 300
	DATE		09/25/2010	09/25/2010	09/25/2010	REVISION	01	SCALE	