

Fig No: **GBF-PN16**

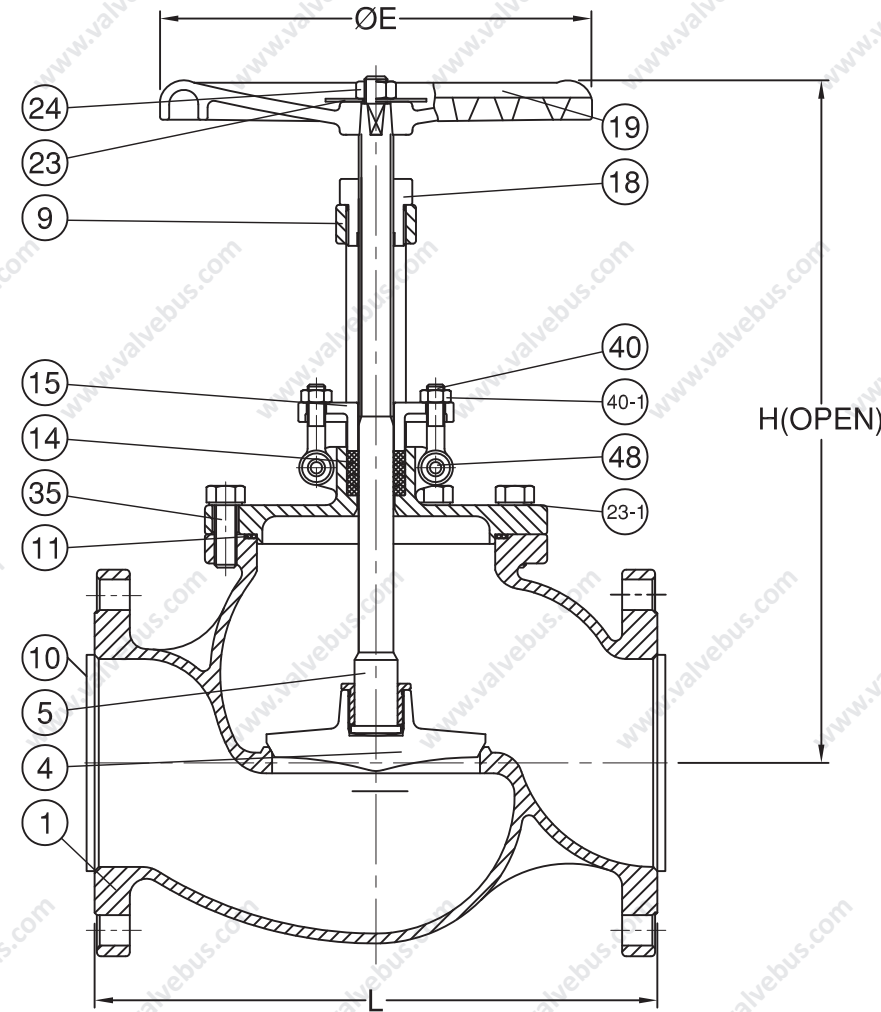
MATERIALS LIST

NO.	PART NAME	MATERIAL
1	BODY	1.4408/EN1503-1
4	DISC	CF8/EN1503-2
5	STEM	SS304
9	BONNET	1.4408/EN1503-1
10	COVER	PE.
11	GASKET	GRAPHITE
14	STEM PACKING	PTFE.
15	GLAND	ASTM A 216 Gr.WCB
18	YOKE SLEEVE	BRONZE
19	HANDWHEEL	DUCTILE IRON
23	H.W. WASHER	SS304
23-1	SPRING WASHER	SS304
24	HANDWHEEL NUT	ASTM A194 Gr.2H
35	BONNET BOLT	ASTM A193 Gr.B7
40	EYE BOLT	ASTM A193 Gr.B7
40-1	EYE BOLT NUT	ASTM A194 Gr.2H
48	EYE BOLT PIN	SS304

AVAILABLE WITH GEAR OPERATOR

DIMENSIONS unit:mm

SIZE	L	ØE	H
DN15 1/2"	130.0	90.0	190.0
DN20 3/4"	150.0	90.0	200.0
DN25 1"	160.0	100.0	230.0
DN32 1-1/4"	180.0	140.0	270.0
DN40 1-1/2"	200.0	140.0	280.0
DN50 2"	230.0	160.0	320.0
DN65 2-1/2"	290.0	180.0	390.0
DN80 3"	310.0	200.0	415.0
DN100 4"	350.0	225.0	510.0
DN125 5"	400.0	260.0	600.0
DN150 6"	480.0	290.0	710.0
DN200 8"	500.0	330.0	900.0
DN250 10"	600.0	350.0	1117.0
DN300 12"	700.0	400.0	1324.0



FLANGE DIMENSION: DIN2545
FACE TO FACE: DIN3202(F1)

CODE	L-001		APPROVED BY.	CHECK BY.	DRAWN BY.	DRAWINGNO.	MATERIAL	UNIT	DESCRIPTION
	SIGN	DATE	MICHAEL	SHANA	MARY	GBF-PN16-L001	MATERIALS LIST	mm	CARBON STEEL GLOBE VALVES, FLANGED END, PN16
			08/20/2009	08/20/2009	08/20/2009	REVISION 02	SCALE FREE		