

# Fig No: GBF-150

## MATERIALS LIST

NO.	PART NAME	MATERIAL
1	BODY	ASTM A351 Gr.CF8M
4	DISC	ASTM A351 Gr.CF8M+STL
5	STEM	SS316
7	DISC CAP	ASTM A351 Gr.CF8M
9	BONNET	ASTM A351 Gr.CF8M
11	BODY SEAL	GRAPHITE
14	STEM PACKING	GRAPHITE
15	GLAND	ASTM A351 Gr.CF8M
18	YOKE SLEEVE	BRONZE
19	HANDWHEEL	ASTM A536 Gr. 65-45-12
24	HANDWHEEL NUT	ASTM A194 Gr.8
35	BODY BOLT	ASTM A193 Gr.B8
40	EYE BOLT	ASTM A193 Gr.B8
40-1	EYE BOLT NUT	ASTM A194 Gr.8
48	PIN	SS304

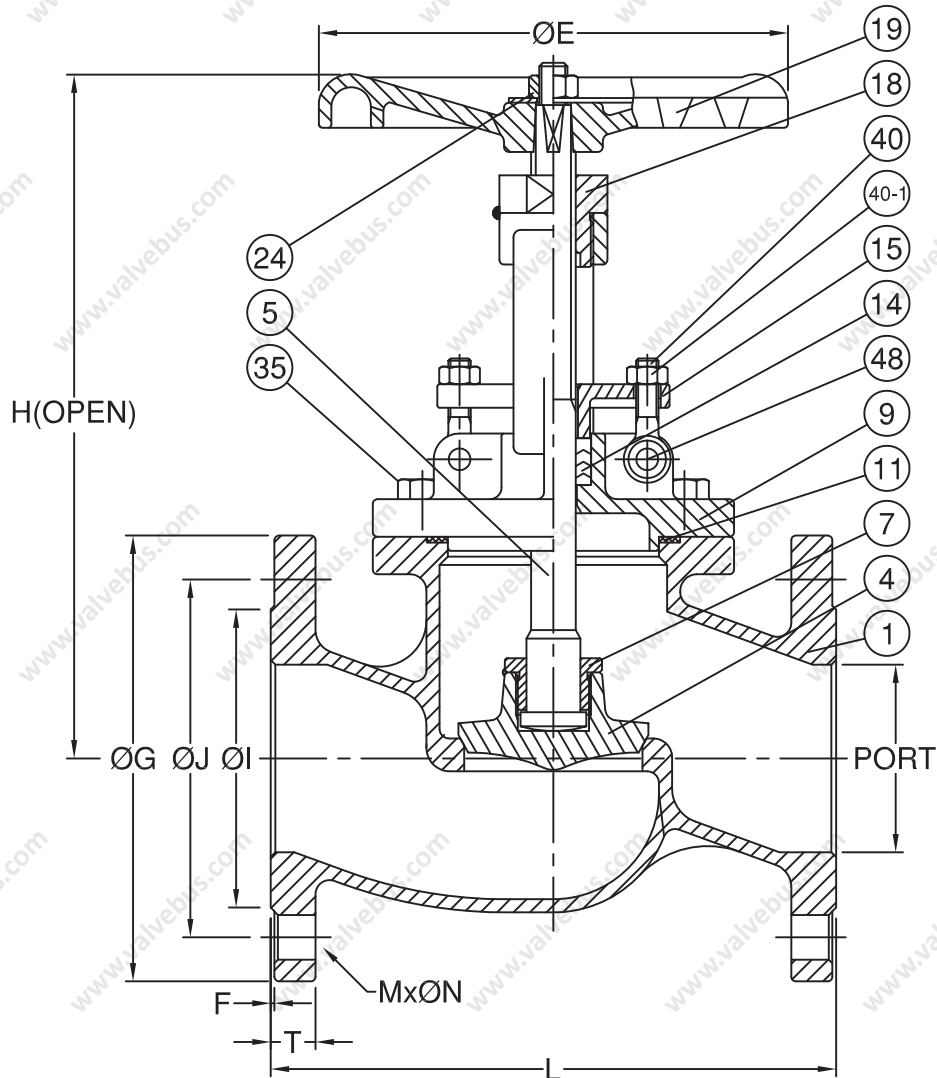
## DIMENSIONS

unit:mm

SIZE	PORT	L	ØE	H	ØG	ØJ	ØI	T	F	M	ØN
DN15	1/2"	13	108	90	190	89	60.5	35	10.0	1.6	4
DN20	3/4"	19	117	90	200	98	70.0	43	10.5	1.6	4
DN25	1"	25	127	100	220	108	79.5	51	11.2	1.6	4
DN40	1-1/2"	38	165	160	250	127	98.5	73	14.3	1.6	4
DN50	2"	51	203	160	319	152	120.5	92	15.8	1.6	4
DN65	2-1/2"	64	216	160	341	178	139.5	105	17.5	1.6	4
DN80	3"	76	241	200	380	190	152.5	127	19.1	1.6	4
DN100	4"	102	292	250	416	229	190.5	157	23.9	1.6	8
DN150	6"	152	406	320	535	279	241.5	216	25.4	1.6	8
DN200	8"	203	495	380	614	343	298.5	270	28.5	1.6	8
DN250	10"	254	622	500	735	406	362.0	324	30.3	1.6	12

FLANGE DIMENSION: ASME B16.5

FACE TO FACE: ASME B16.10



CODE	L-001		APPROVED BY	CHECK BY	DRAWN BY	DRAWING NO.	MATERIAL	UNIT	DESCRIPTION
	SIGN	TONY	MICHAEL	SHANA	GBF-150-L001	MATERIALS LIST	mm	STAINLESS STEEL GLOBE VLAVES, FLANGED END, ANSI CLASS 150	
	DATE	01/22/2009	01/22/2009	01/22/2009	REVISION	01	SCALE		FREE