

TRIM8

Fig No: **GTF-300**

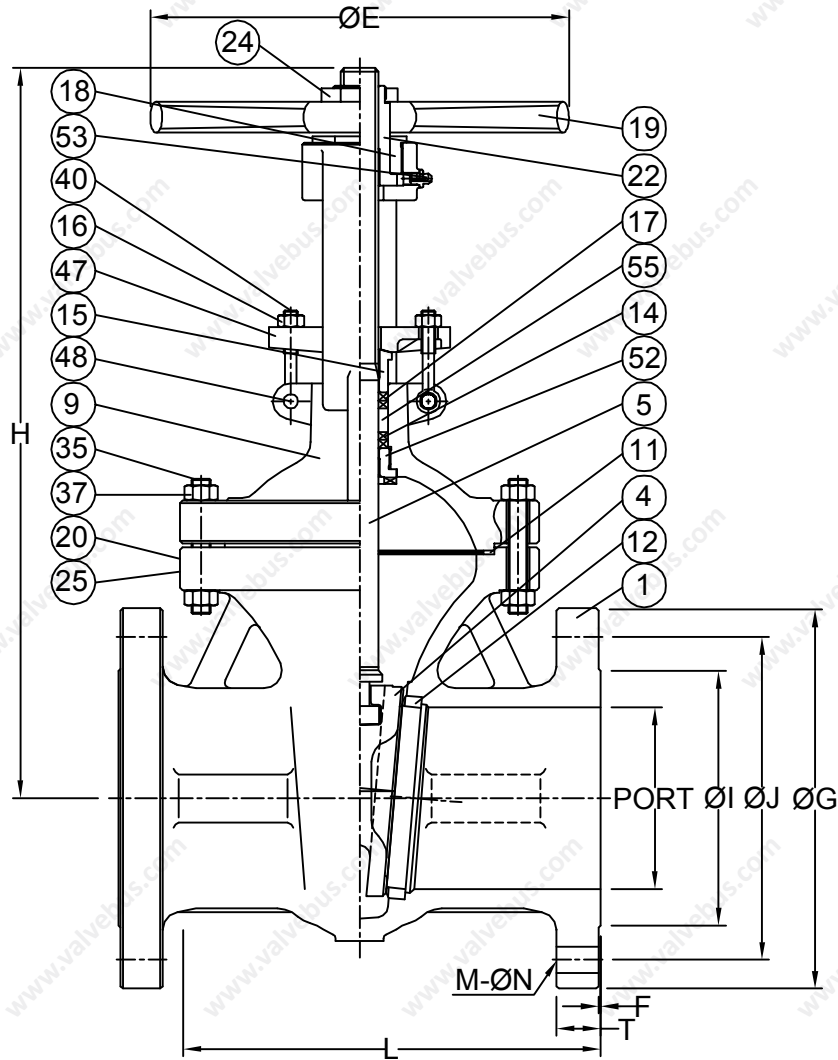
MATERIALS LIST

NO.	PART NAME	MATERIAL
1	BODY	ASTM A216 Gr.WCB
4	WEDGE	ASTM A216 Gr.WCB+13Cr
5	STEM	ASTM A182 Gr.F6a
9	BONNET	ASTM A216 Gr.WCB
11	GASKET	08F+FLEXIBLE GRAPHITE
12	SEAT RING	ASTM A105+STL#6
14	PACKING	FLEXIBLE GRAPHITE
15	GLAND	ASTM A276 Gr.410
16	EYE NUT	ASTM A194 Gr.2H
17	PACKING	STAINLESS STEEL WIRE+GRAPHITE
18	SLEEVE	ASTM A29 Gr.1035
19	HANDWHEEL	ASTM A536 Gr.60-40-18
20	RIVET	SS304
22	STEM NUT	ASTM A439 Gr.D-2
24	HANDWHEEL NUT	ASTM A29 Gr.1035
25	NAME PLATE	SS304
35	BOLT	ASTM A193 Gr.B7
37	NUT	ASTM A194 Gr.2H
40	EYE BOLT	ASTM A193 Gr.B7
47	GLAND FLANGE	ASTM A216 Gr.WCB
48	PIN	ASTM A29 Gr.1035
52	BACK SEAT	ASTM A276 Gr.410
53	OIL FILLER	ASTM A570 Gr.A
55	DISTANCE RING	ASTM A276 Gr.410

DIMENSIONS

unit:mm

SIZE	PORT	L	ØE	H	ØG	ØJ	ØI	T	F	M	ØN	
DN50	2"	50.8	216.0	200.0	417.0	165.1	127.0	92.1	23.0	1.6	8	19.0
DN65	2-1/2"	63.5	241.0	200.0	460.0	190.5	149.4	104.8	25.5	1.6	8	22.0
DN80	3"	76.2	283.0	250.0	526.0	209.6	168.1	127.0	29.0	1.6	8	22.0
DN100	4"	101.6	305.0	250.0	650.0	254.0	200.2	157.2	32.0	1.6	8	22.0
DN150	6"	152.4	403.0	350.0	824.0	317.5	269.8	215.9	37.0	1.6	12	22.0
DN200	8"	203.2	419.0	400.0	987.0	381.0	330.2	269.9	42.0	1.6	12	25.4
DN250	10"	254.0	457.0	450.0	1192.0	444.5	387.4	323.8	48.0	1.6	16	29.0
DN300	12"	304.8	502.0	500.0	1431.0	520.7	450.9	381.0	51.0	1.6	16	32.0



CODE	D-014		APPROVED BY.	CHECK BY.	DRAWN BY.	DRAWING NO.	MATERIAL	UNIT	DESCRIPTION		
	SIGN	T.H.KUO	DATE	BLUE	GTF-300-D014	MATERIALS LIST	mm	CARBON STEEL GATE VALVES FLANGED END, ANSI CLASS 300			
	DATE	06/10/2010	06/10/2010	06/10/2010	REVISION	01	SCALE				

TRIM8

Fig No: **GTF-300**

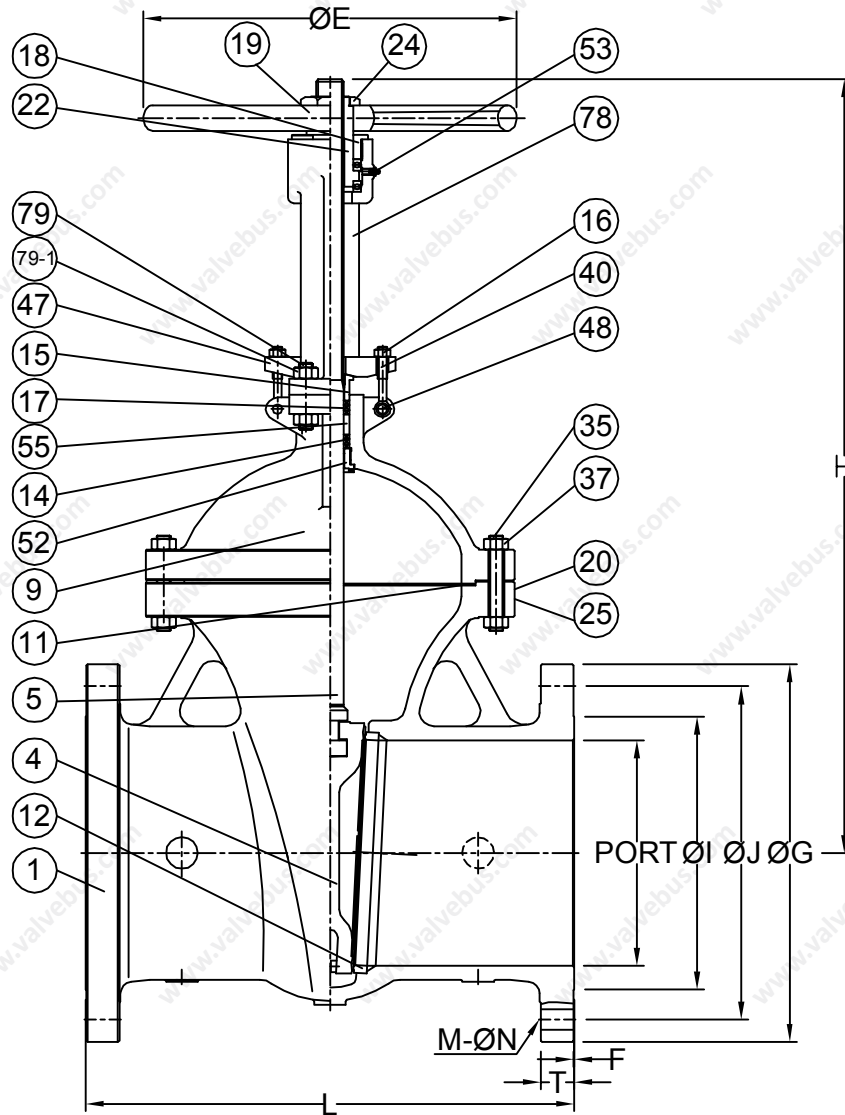
MATERIALS LIST

NO.	PART NAME	MATERIAL
1	BODY	ASTM A216 Gr.WCB
4	WEDGE	ASTM A216 Gr.WCB+13Cr
5	STEM	ASTM A182 Gr.F6a
9	BONNET	ASTM A216 Gr.WCB
11	GASKET	08F+FLEXIBLE GRAPHITE
12	SEAT RING	ASTM A105+STL#6
14	PACKING	FLEXIBLE GRAPHITE
15	GLAND	ASTM A276 Gr.410
16	EYE NUT	ASTM A194 Gr.2H
17	PACKING	STAINLESS STEEL WIRE+GRAPHITE
18	SLEEVE	ASTM A29 Gr.1035
19	HANDWHEEL	ASTM A536 Gr.60-40-18
20	RIVET	SS304
22	STEM NUT	ASTM A439 Gr.D-2
24	LOCK NUT	ASTM A29 Gr.1035
25	NAME PLATE	SS304
35	BOLT	ASTM A193 Gr.B7
37	NUT	ASTM A194 Gr.2H
40	EYE BOLT	ASTM A193 Gr.B7
47	GLAND FLANGE	ASTM A216 Gr.WCB
48	PIN	ASTM A29 Gr.1035
52	BACK SEAT	ASTM A276 Gr.410
53	OIL FILLER	ASTM A570 Gr.A
55	DISTANCE RING	ASTM A276 Gr.410
78	YOKE	ASTM A216 Gr.WCB
79	BOLT	ASTM A193 Gr.B7
79-1	NUT	ASTM A194 Gr.2H

DIMENSIONS

SIZE	PORT	L	ØE	H	ØG	ØJ	ØI	T	F	M	ØN	
DN350	14"	336.6	762.0	560.0	1559.0	584.2	514.4	412.8	54.0	1.6	20	32.0

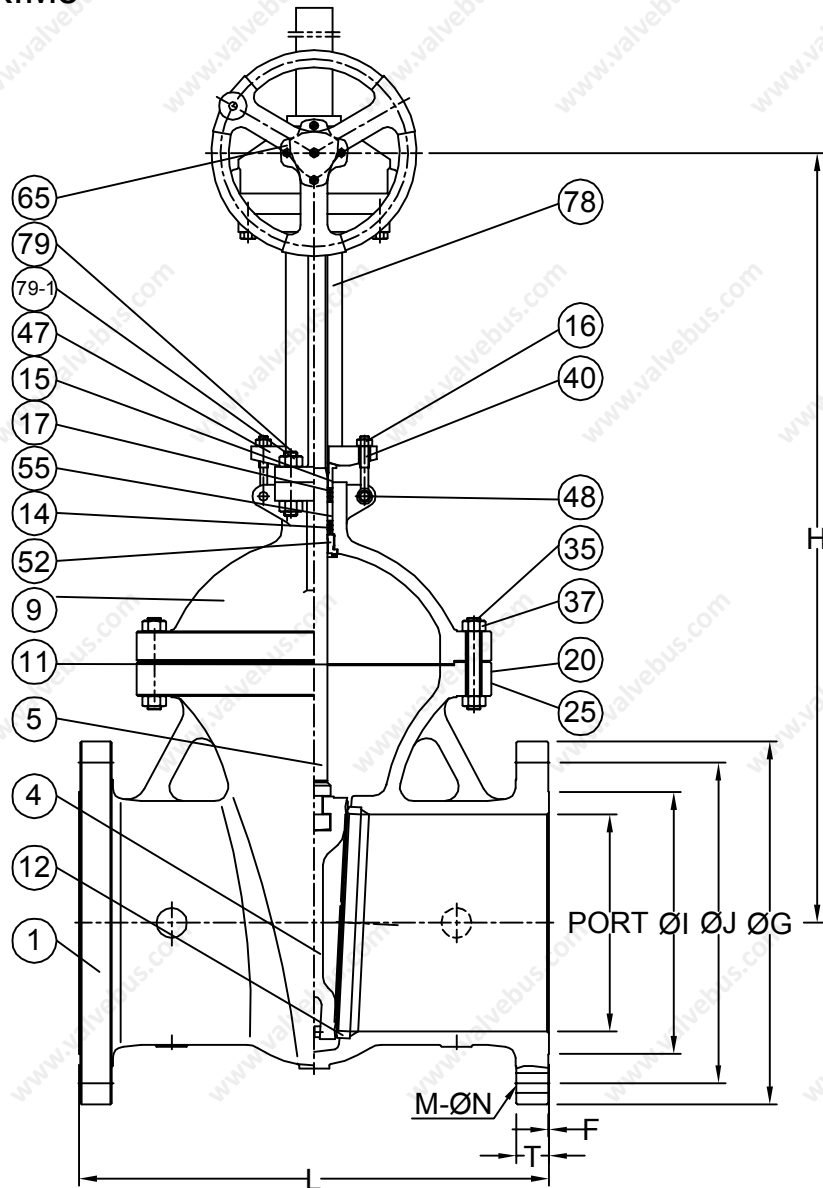
unit:mm



CODE	D-014	APPROVED BY.	CHECK BY.	DRAWN BY.	DRAWING NO.	MATERIAL	UNIT	DESCRIPTION
	SIGN	T.H.KUO	DATE	BIUE	GTF-300-D014	MATERIALS LIST	mm	CARBON STEEL GATE VALVES FLANGED END, ANSI CLASS 300
	DATE	06/10/2010	06/10/2010	06/10/2010	REVISION	01	SCALE	

TRIM8

Fig No: **GTF-300**



MATERIALS LIST

NO.	PART NAME	MATERIAL
1	BODY	ASTM A216 Gr.WCB
4	WEDGE	ASTM A216 Gr.WCB+13Cr
5	STEM	ASTM A182 Gr.F6a
9	BONNET	ASTM A216 Gr.WCB
11	GASKET	08F+FLEXIBLE GRAPHITE
12	SEAT RING	ASTM A105+STL#6
14	PACKING	FLEXIBLE GRAPHITE
15	GLAND	ASTM A276 Gr.410
16	EYE NUT	ASTM A194 Gr.2H
17	PACKING	STAINLESS STEEL WIRE+GRAPHITE
20	RIVET	SS304
25	NAME PLATE	SS304
35	BOLT	ASTM A193 Gr.B7
37	NUT	ASTM A194 Gr.2H
40	EYE BOLT	ASTM A193 Gr.B7
47	GLAND FLANGE	ASTM A216 Gr.WCB
48	PIN	ASTM A29 Gr.1035
52	BACK SEAT	ASTM A276 Gr.410
55	DISTANCE RING	ASTM A276 Gr.410
65	GEAR BOX	
78	YOKE	ASTM A216 Gr.WCB
79	BOLT	ASTM A193 Gr.B7
79-1	NUT	ASTM A194 Gr.2H

DIMENSIONS

SIZE	PORT	L	H	ØG	ØJ	ØI	T	F	M	unit:mm	
										ØN	
DN400	16"	387.4	838.0	1758.0	647.7	571.5	469.9	58.0	1.6	20	35.0
DN450	18"	431.8	914.0	1942.0	711.2	628.7	533.4	61.0	1.6	24	35.0
DN500	20"	482.6	991.0	2145.0	774.7	685.8	584.2	64.0	1.6	24	35.0
DN600	24"	584.2	1143.0	2904.0	914.4	812.8	692.2	70.0	1.6	24	41.0

CODE	D-014	APPROVED BY.	CHECK BY.	DRAWN BY.	DRAWING NO.	MATERIAL	UNIT	DESCRIPTION			
	SIGN	T.H.KUO	DATE	BLUE	GTF-300-D014	MATERIALS LIST	mm	CARBON STEEL GATE VALVES FLANGED END, ANSI CLASS 300			
	DATE	06/10/2010	06/10/2010	06/10/2009	REVISION	01	SCALE				